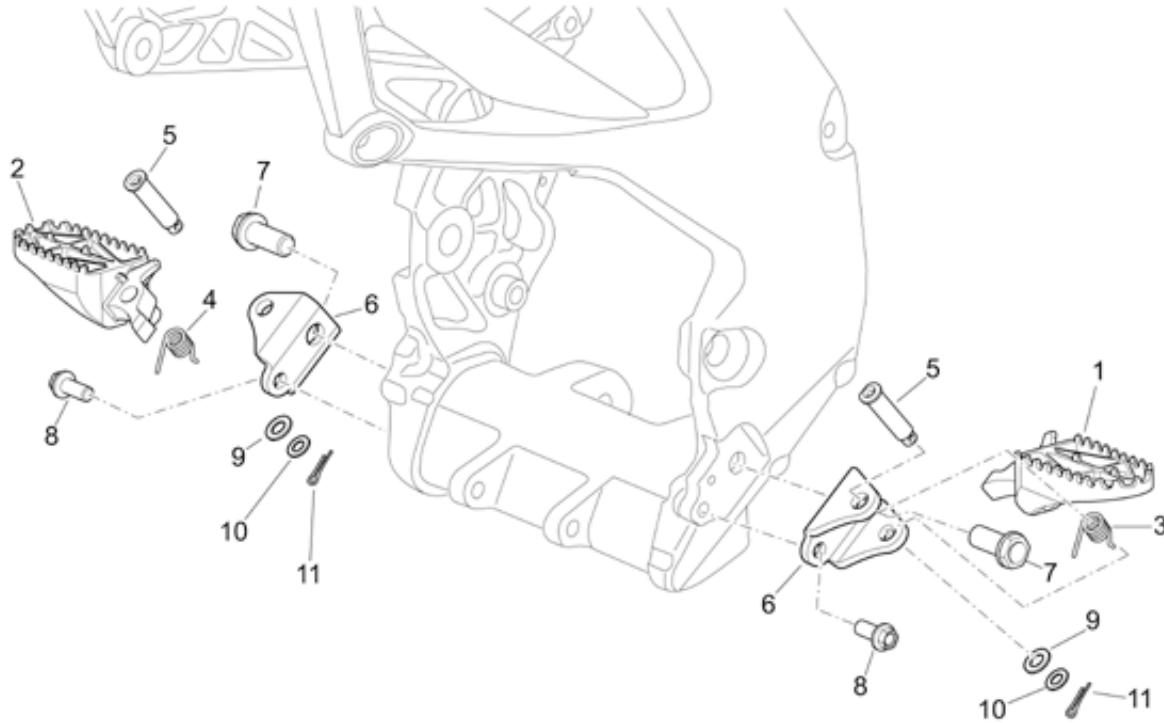
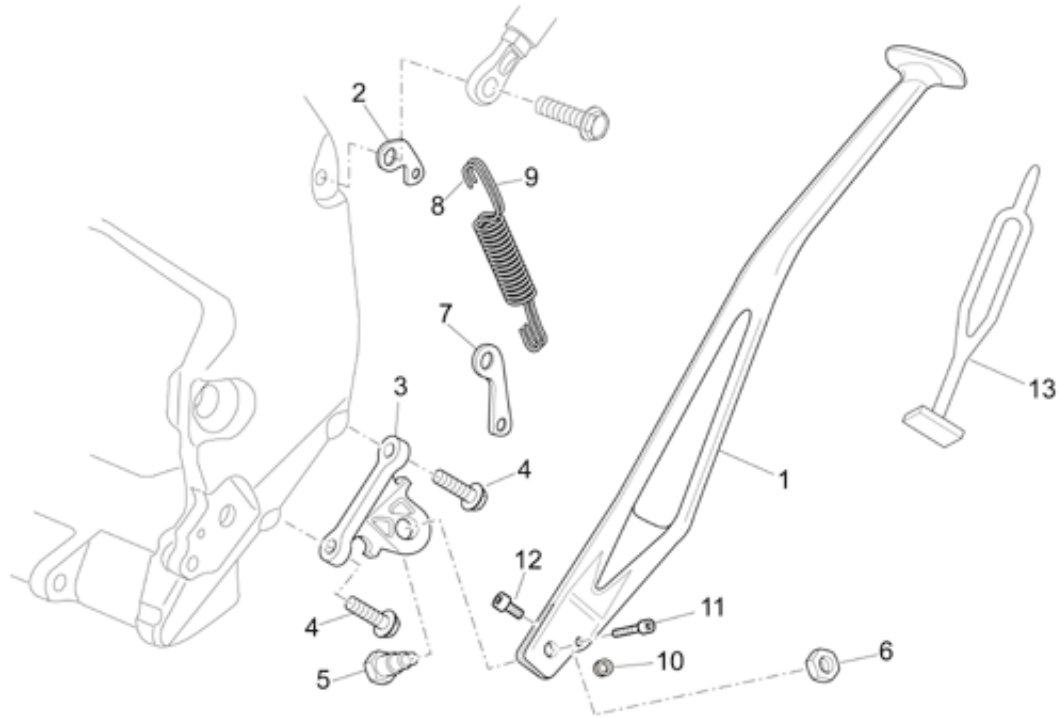


Pos.	Description	Year	I_M_	Country	Version	Code	Q.ty	P.Cod.
1	Frame	-	-	-	SX	AP9100564	1	BA009
	Frame	-	-	-	RX	AP9100162	1	BA009
2	Plate	-	-	-	-	AP9100766	1	-
3	Wire	-	-	-	-	AP9100770	1	-
4	Black chain guide roller	-	-	-	-	AP9100173	1	-
5	Spacer	-	-	-	-	AP9100174	1	-
6	Ball bearing 8x22x7	-	-	-	-	AP9100175	2	-
7	Screw w/ flange M8x35*	-	-	-	-	AP8152289	1	-
8	Lower chain guide plate	-	-	-	-	AP9100688	1	-
9	Screw w/ flange M5x12*	-	-	-	-	AP8152272	1	-
10	Spacer *	-	-	-	-	AP8120253	1	-
11	Screw w/ flange M5x25*	-	-	-	-	AP8152275	1	-
12	Spacer	-	-	-	RX	AP9100724	1	-
	Spacer H11,5	-	-	-	SX	AP8120313	1	-
13	Saddle support	-	-	-	RX	AP9100065	1	BA189
	Saddle support	-	-	-	SX	AP9100315	1	BA189
14	Screw w/ flange M10x1,25	-	-	-	-	AP9100389	4	-
15	Front fairing gasket	-	-	-	-	AP8144538	2	-
16	Washer 4,3x16*	-	-	-	-	AP8150159	3	-
17	Low self-locking nut M4*	-	-	-	-	AP8150204	3	-
18	Heat protection	-	-	-	-	AP9100243	1	FC079
19	Hex socket screw M4x10 inox	-	-	-	-	AP9100769	1	-
20	Screw M4x12	-	-	-	-	AP9100768	2	-

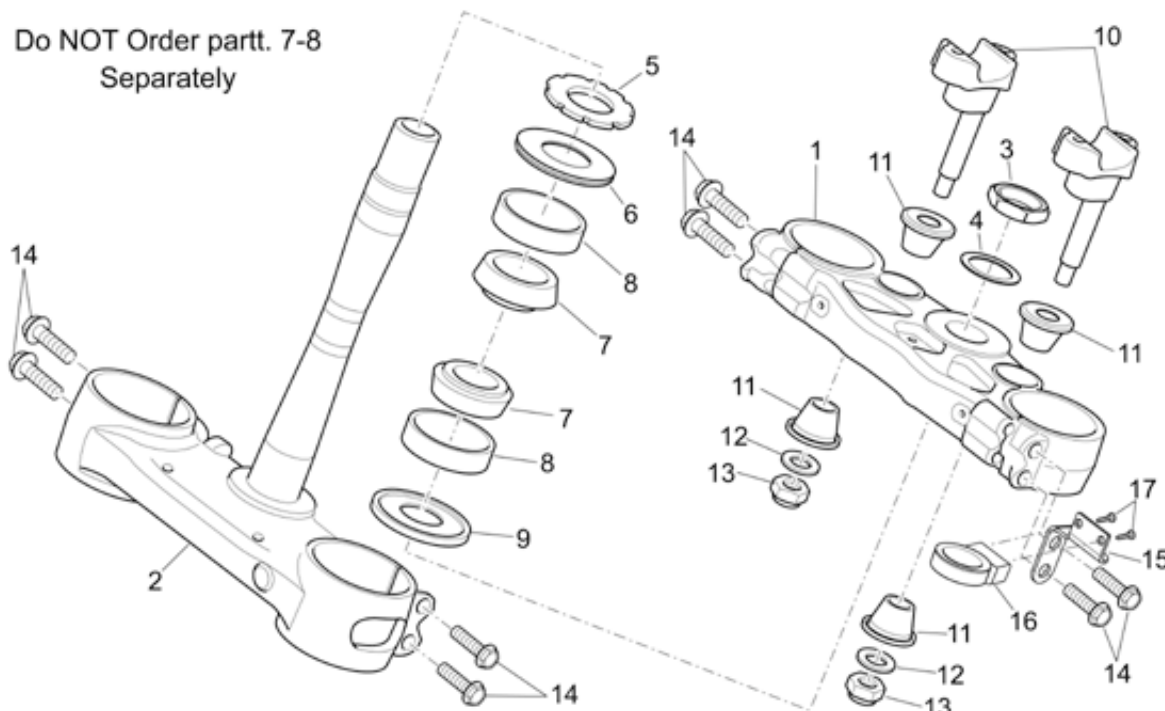


Pos.	Description	Year	I_M_	Country	Version	Code	Q.ty	P.Cod.
1	LH footrest	-	-	-	-	AP9100193	1	BA05A
2	RH footrest	-	-	-	-	AP9100194	1	BA05B
3	Spring	-	-	-	-	AP9100195	1	-
4	Spring	-	-	-	-	AP9100196	1	-
5	Pin	-	-	-	-	AP9100197	2	-
6	Footrest support	-	-	-	-	AP9100275	2	BA17*
7	Screw M12x1,25	-	-	-	-	AP9100390	2	-
8	Screw w/ flange M8x20*	-	-	-	-	AP8152286	2	-
9	Washer 10,5X18X2*	-	-	-	-	AP8152176	2	-
10	Washer 8,4x16x1,6*	-	-	-	-	AP8150017	2	-
11	Split pin	-	-	-	-	AP8101606	2	-

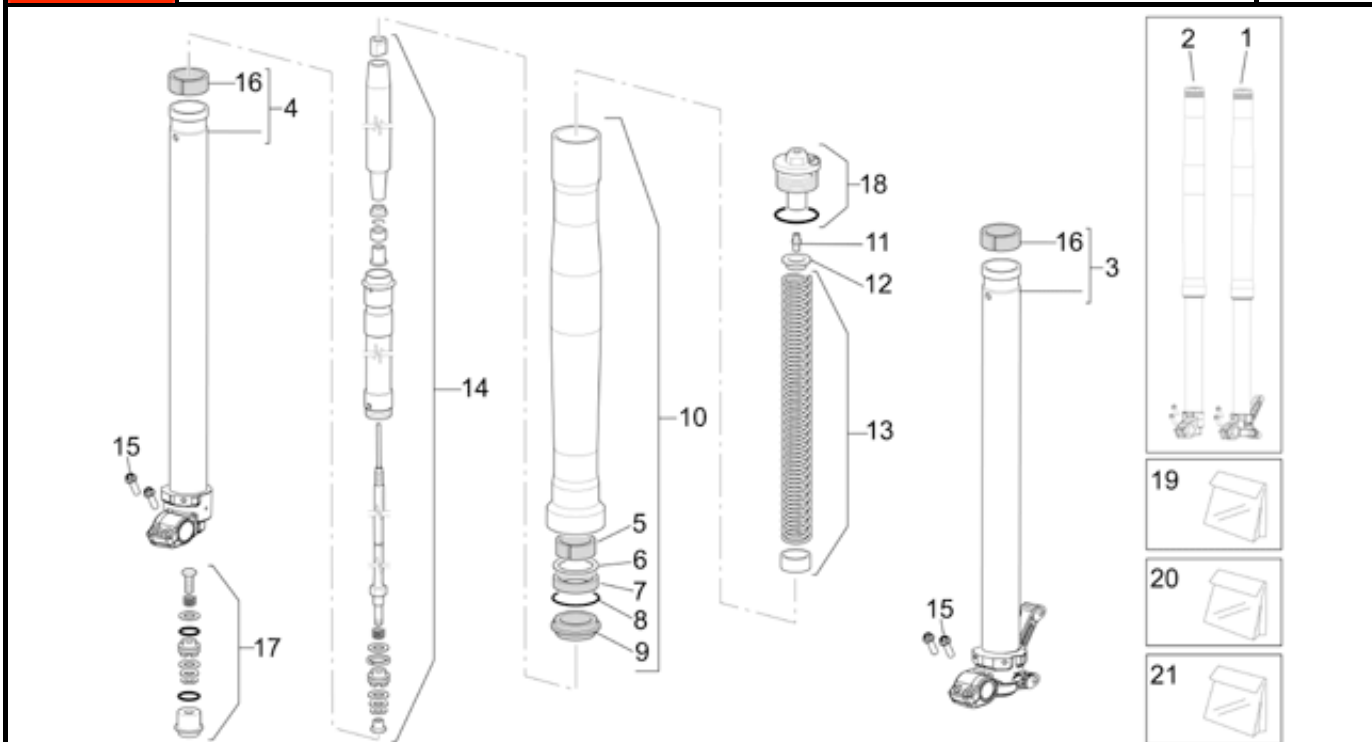


Pos.	Description	Year	I_M_	Country	Version	Code	Q.ty	P.Cod.
1	Central stand	-	-	-	SX	AP9100835	1	BG049
	Central stand	-	-	-	RX	AP9100834	1	BG049
2	Plate	-	-	-	RX-SX	AP9100964	1	-
3	Stand plate	-	-	-	RX-SX	AP9100419	1	BG079
4	Screw w/ flange M8x25*	-	-	-	RX-SX	851280	2	-
5	Central stand fixing screw	-	-	-	RX-SX	AP8161006	1	-
6	Low nut M10x1,25*	-	-	-	RX-SX	AP8152001	1	-
7	Lateral stand plate	-	-	-	RX-SX	AP9100223	1	-
8	Outer spring	-	-	-	RX-SX	AP9100668	1	BG02K
9	Inner spring	-	-	-	RX-SX	AP9100669	1	BG02J
10	Bush 8x5x7,8	-	-	-	RX-SX	AP9100836	1	-
11	Hex socket screw M5X35*	-	-	-	RX-SX	AP8150051	1	-
12	Hex socket screw M6x8*	-	-	-	RX-SX	AP8152123	1	-
13	Fixing snap	-	-	-	RX-SX	AP9100963	1	-

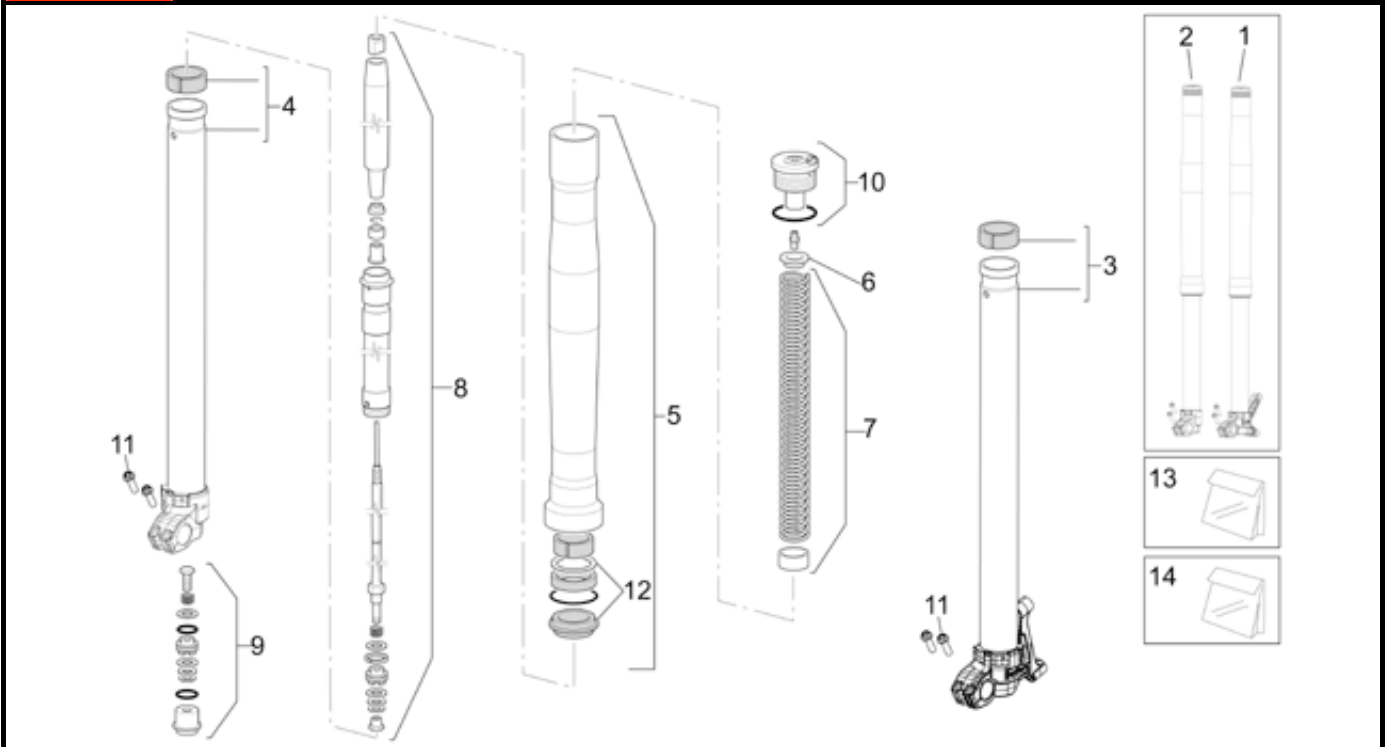
Do NOT Order partt. 7-8
Separately



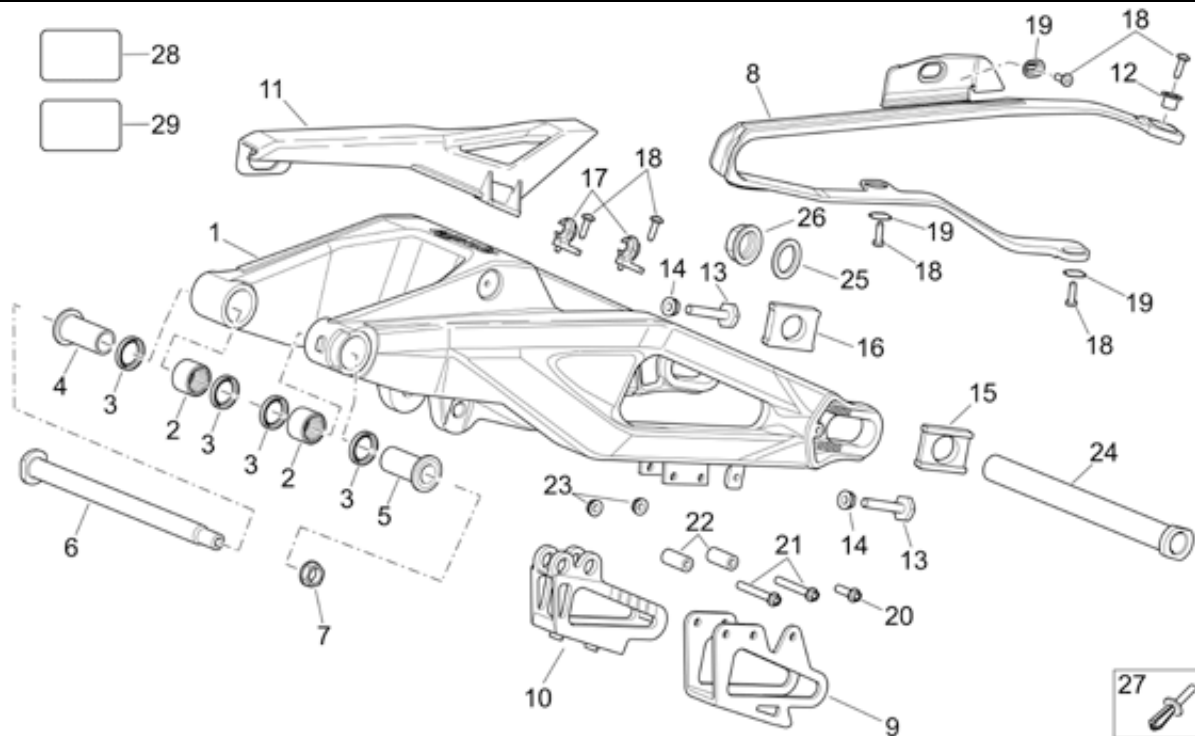
Pos.	Description	Year	I_M_	Country	Version	Code	Q.ty	P.Cod.
1	Upper plate	-	-	-	-	AP9100542	1	BD119
2	Stem base	-	-	-	SX	AP9100437	1	BD019
	Stem base	-	-	-	RX	AP9100680	1	BD019
3	Spindle nut	-	-	-	-	AP9100026	1	BC189
4	Washer 26,5x36x1	-	-	-	-	AP9100028	1	-
5	Ring nut	-	-	-	-	AP9100021	1	BA049
6	Upper Gasket ring	-	-	-	-	AP9100204	1	-
7	Bearing	-	-	-	-	851029	2	BA039
8	Fifth wheel	-	-	-	-	851030	2	BA039
9	Lower Gasket ring	-	-	-	-	AP9100205	1	-
10	Lower U-bolt	-	-	-	-	AP9100293	2	BD149
11	Silent-block	-	-	-	-	AP9100412	4	BD149
12	Washer 10.1x23x2.5	-	-	-	-	AP9100776	2	-
13	Low self-locking nut M10x1,25	-	-	-	-	AP9100439	2	-
14	Screw w/ flange M8x40*	-	-	-	-	AP8152290	8	-
15	Fairlead plate	-	-	-	-	AP9100968	1	-
16	Front brake hose cable guide	-	-	-	-	AP8102208	1	-
17	Screw M4,8x13*	-	-	-	-	AP8150246	2	-



Pos.	Description	Year	I_M_	Country	Version	Code	Q.ty	P.Cod.
1	LH hub cpl.	6	-	-	RX	AP9100394	1	BD27B
	LH hub cpl.	7	-	-	RX	851291	1	BD27B
2	RH hub cpl.	7	-	-	RX	851290	1	BD27A
	RH hub cpl.	6	-	-	RX	AP9100395	1	BD27A
3	Hub+LH fork leg	-	-	-	RX	AP9100847	1	BD13B
4	Hub+RH fork leg	-	-	-	RX	AP9100848	1	BD13A
5	Upper bush 45x15	-	-	-	RX	AP9100855	2	BD10*
6	Gasket ring 45x58x11	-	-	-	RX	AP8163095	2	BD04*
7	Cup 58x46x3	-	-	-	RX	AP8163094	2	-
8	Stop ring D.63	-	-	-	RX	AP8163096	2	-
9	Dust cover D.45	-	-	-	RX	AP8163097	2	BD05*
10	Sleeve cpl.	-	-	-	RX	AP9100849	2	BD03*
11	Dowel+O-ring	-	-	-	RX	AP8163370	2	BD289
12	Ring spring d.40	-	-	-	RX	AP9100850	2	-
13	Spring kit	-	-	-	RX	AP9100851	2	BD07*
14	Plunger, complete	-	-	-	RX	AP9100852	2	BD16*
15	Screw w/ flange M6x25*	-	-	-	RX	AP8152280	4	-
16	Lower bush 45x20	-	-	-	RX	AP9100856	2	BD10*
17	Valve d.45	-	-	-	RX	AP9100853	2	BD299
18	Plug cpl. d.45	-	-	-	RX	AP9100854	2	BD15*
19	Seal rings fork kit	-	-	-	RX	AP9100857	1	BD***
20	Gaskets set d.45	-	-	-	RX	AP9100858	1	BD***
21	Bushes kit	-	-	-	RX	AP9100859	1	BD***

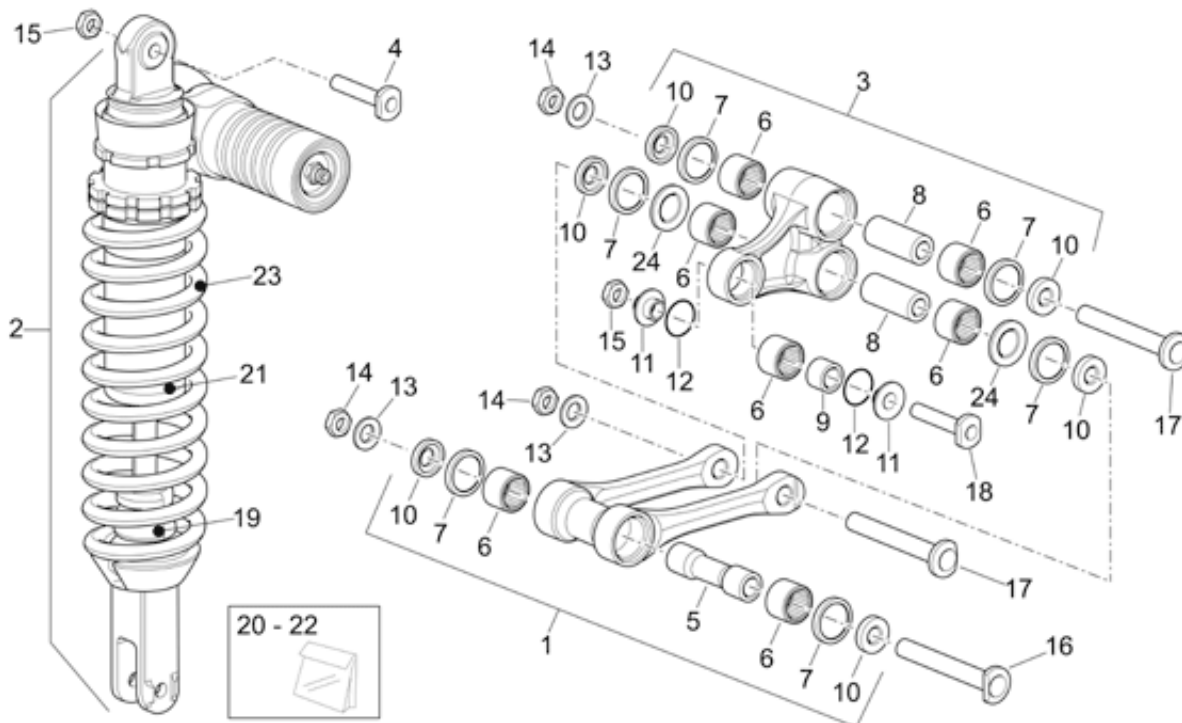


Pos.	Description	Year	I_M_	Country	Version	Code	Q.ty	P.Cod.
1	LH hub cpl.	-	-	-	SX	AP9100397	1	BD27B
2	RH hub cpl.	-	-	-	SX	AP9100398	1	BD27A
3	Hub+LH fork leg	-	-	-	SX	AP9100869	1	BD13B
4	Hub+RH fork leg	-	-	-	SX	AP9100870	1	BD13A
5	Sleeve cpl.	-	-	-	SX	AP9100871	2	BD03*
6	Ring spring D.40	-	-	-	SX	AP9100872	2	-
7	Spring kit	-	-	-	SX	AP9100873	2	BD07*
8	Plunger, complete	-	-	-	SX	AP9100874	2	BD16*
9	Valve D.45 D.45	-	-	-	SX	AP9100875	2	BD299
10	Plug cpl. D.45 D.45	-	-	-	SX	AP9100876	2	BD15*
11	Screw w/ flange M8x25*	-	-	-	SX	851280	4	-
12	Dust cover+oil seal kit	-	-	-	SX	AP9100877	1	BD***
13	Gaskets set d.48	-	-	-	SX	AP9100878	1	BD***
14	Bushes kit	-	-	-	SX	AP9100879	1	BD***



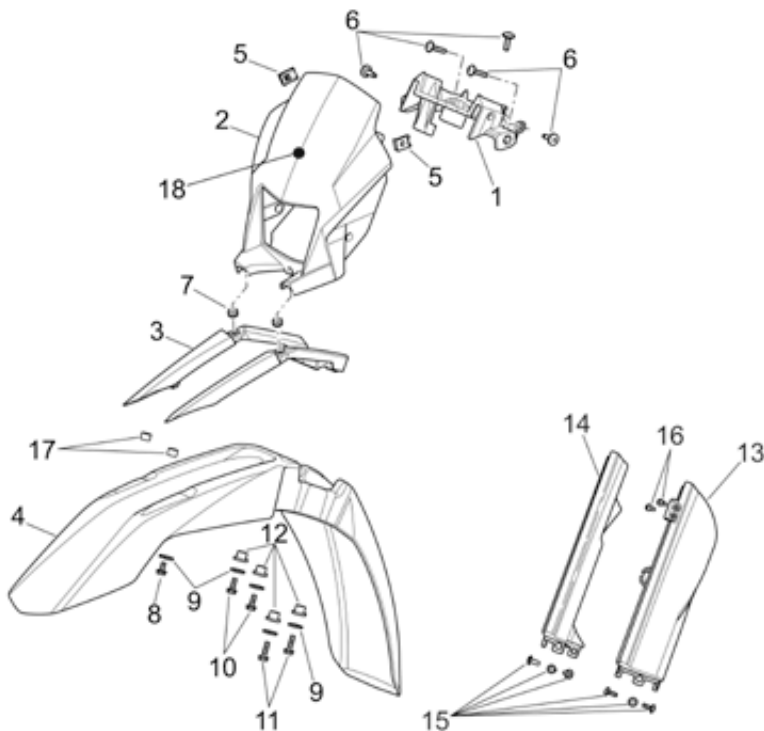
Pos.	Description	Year	I_M_	Country	Version	Code	Q.ty	P.Cod.
1	Swing arm	-	-	-	SX	AP9100120	1	BE009
	Swing arm	-	-	-	RX	AP9100104	1	BE009
2	Roller cage 22x29x30	-	-	-	-	AP9100202	2	BE069
3	Gasket ring 22x29x4	-	-	-	-	AP9100203	4	BE169
4	Piston pin L=47,5	-	-	-	-	AP9100952	1	BE029
5	Piston pin L=47,5	-	-	-	RX	AP9100952	1	BE029
	Piston pin L=59,5	-	-	-	SX	AP9100953	1	BE029
6	Rear swing arm pin M14 L=244	-	-	-	RX	AP9100123	1	BE019
	Rear swing arm pin M14 L=256	-	-	-	SX	AP9100264	1	BE019
7	DAX flange nut M14x1,5	-	-	-	-	AP8152244	1	BE179
8	Sliding block	-	-	-	-	AP9100061	1	BE119
9	Chain guide	-	-	-	-	AP9100060	1	BE119
10	Chain guide plate	-	-	-	-	AP9100109	1	BE109
11	Chain guard	-	-	-	RX-SX	AP9100435	1	BE099
12	Bush	-	-	-	RX-SX	AP9100616	1	-
13	Chain tens.adjuster screw	-	-	-	-	AP8152305	2	-
14	Low nut M8*	-	-	-	-	AP8152262	2	-
15	RH chain guide plate	-	-	-	-	AP8144444	1	BE049
16	LH chain guide plate	-	-	-	-	AP8144443	1	BE049
17	Brake hose cable guide	-	-	-	-	AP9100565	2	-
18	Self-tapping screw M5	-	-	-	-	AP8150515	6	-
19	Cup for shoe	-	-	-	RX-SX	AP8234020	3	-
20	Screw w/ flange M6x12*	-	-	-	-	AP8152277	1	-
21	Screw w/ flange M6x50	-	-	-	-	AP9100433	2	-
22	Bush	-	-	-	-	AP9100287	2	-
23	Self-locking nut M6x1	-	-	-	-	AP9100434	2	-
24	Rear wheel spindle M25 L=318,5	-	-	-	SX	AP9100270	1	BB03F
	Rear wheel spindle M25	-	-	-	RX	AP9100271	1	BB03F

	L=266,5	-	-	-	KA	-	AP9100221	1	BB03F
25	Washer 25,2x36x1	-	-	-	-	-	AP8152323	1	-
26	Wheel spindle nut M25x1,5	-	-	-	-	-	AP8152324	1	BB06F
27	Plastic rivet, black	-	-	-	-	-	AP8202058	4	-
28	Tyre pressure decal	-	-	-	RX	-	851134	1	-
	Tyre pressure decal	-	-	-	SX	-	AP8187032	1	-
29	Chain decal	-	-	-	RX-SX	-	AP8166680	1	-

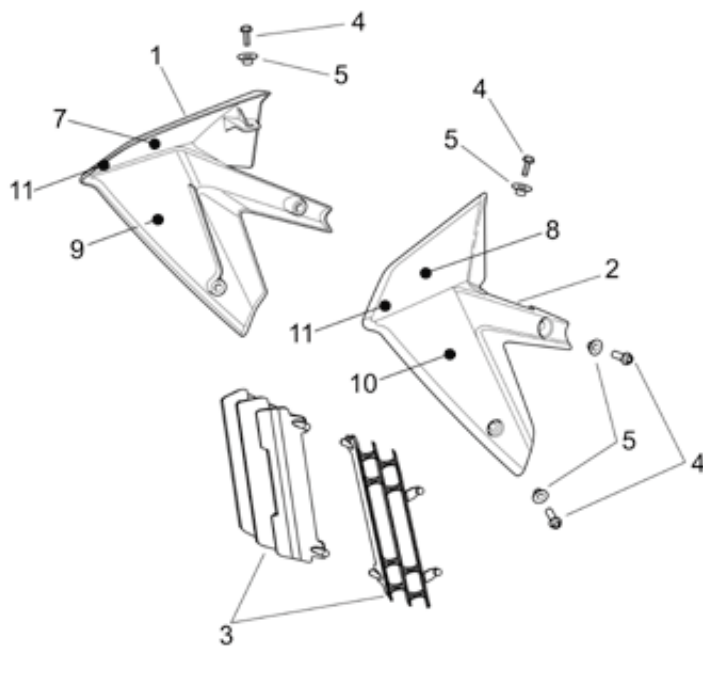


Pos.	Description	Year	I_M_	Country	Version	Code	Q.ty	P.Cod.
1	Single conrod comp.	-	-	-	-	AP9100176	1	BF089
2	Rear shock absorber RXV	7	-	-	RX	851292	1	BF009
	Rear shock absorber RXV	6	-	-	RX	AP9100113	1	BF009
	Rear shock absorber SXV	6	-	-	SX	AP9100114	1	BF009
3	Double conrod comp.	-	-	-	-	AP9100180	1	BF099
4	Screw M10x1,25 L=53	-	-	-	-	AP9100007	1	-
5	Piston pin	-	-	-	-	AP9100178	1	-
6	Needle bearing 20x27x15	-	-	-	-	AP9100181	2	BF119
	Needle bearing 20x27x15	-	-	-	-	AP9100181	5	BF119
7	Gasket ring 25x32x4	-	-	-	-	AP9100177	2	-
	Gasket ring 25x32x4	-	-	-	-	AP9100177	4	-
8	Piston pin	-	-	-	-	AP9100184	2	-
9	Spacer	-	-	-	-	AP9100111	1	-
10	Spacer	-	-	-	-	AP9100179	2	-
	Spacer	-	-	-	-	AP9100179	4	-
11	Outside spacer	-	-	-	-	AP9100186	2	-
12	O-ring 1,5x24	-	-	-	-	AP9100549	2	-
13	Washer 12,2x22x2	-	-	-	-	AP8152018	3	-
14	Low self-locking nut M12x1,25	-	-	-	-	AP9100442	1	-
	Low self-locking nut M12x1,25	-	-	-	-	AP9100442	2	-
15	Low self-locking nut M10x1,25	-	-	-	-	AP9100439	2	-
16	Screw M12x1,25 L=120	-	-	-	-	AP9100604	1	-
17	Screw M12x1,25 L=95	-	-	-	-	AP9100289	2	-
18	Screw M10x1,25 L=44	-	-	-	-	AP9100208	1	-
19	Drift	-	-	-	-	AP9100808	1	BF009
20	Gasket set	-	-	-	SX	AP9100815	1	BF009
	Gasket set	-	-	-	RX	AP9100814	1	BF009
21	Sleeve unit	-	-	-	-	AP9100817	1	BF009

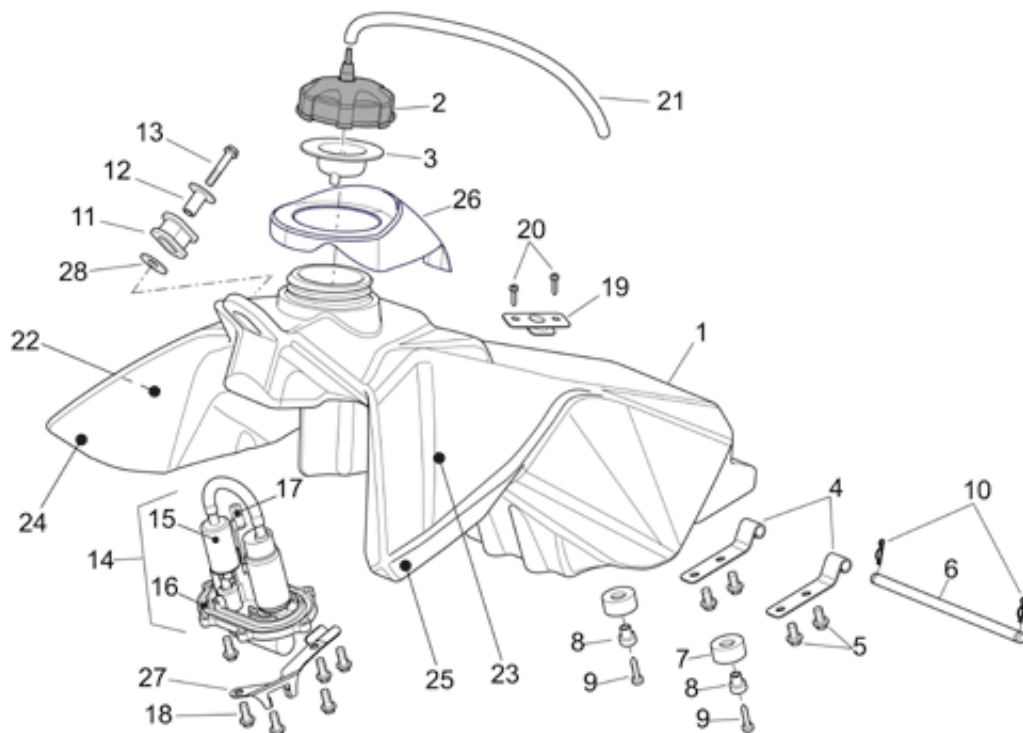
22	Sleeve gasket set	-	-	-	-	-	AP9100820	1	BF009
23	Spring	6	-	-	RX	-	AP9100826	1	BF009
	Spring	6	-	-	SX	-	AP9100827	1	BF009
24	Flat washer 31x20,2x1,4	-	-	-	-	-	AP9100182	2	-



Pos.	Description	Year	I_M_	Country	Version	Code	Q.ty	P.Cod.
1	Socket support	-	-	-	RX-SX	-	AP9100517	1 JB039
2	Windshield	6-7	-	-	D-RX-SX	red-white	AP9100524	1 DD009
3	Tie rod	-	-	-	-	-	AP9100503	1 BD189
4	Front mudguard, black	6	-	-	-	red	AP9100500	1 DD049
	Front mudguard, red	7	-	-	-	white	AP9101052	1 DD049
5	Clip M5*	-	-	-	RX-SX	-	AP8102375	2 -
6	Screw w/ flange M5x9	-	-	-	RX-SX	-	AP8152339	2 -
	Screw w/ flange M5x9	-	-	-	RX-SX	-	AP8152339	3 -
7	Rubber spacer *	-	-	-	-	-	AP8120405	2 -
8	Screw w/ flange M6x12*	-	-	-	-	-	AP8152277	2 -
9	Washer 6,6x18x1,6*	-	-	-	-	-	AP8150015	6 -
10	Screw w/ flange M6x16*	-	-	-	-	-	AP8152278	2 -
11	Screw w/ flange M6x40*	-	-	-	-	-	AP8152283	2 -
12	T bush 20x0,5x3,5	-	-	-	-	-	AP9100501	4 -
13	LH sleeve guard, black	-	-	-	-	-	AP9100440	1 BD369
14	RH sleeve guard, black	-	-	-	-	-	AP9100441	1 BD369
15	Screw complete M6x1	-	-	-	-	-	AP9100548	6 -
16	Screw M4,8x13*	-	-	-	-	-	AP8150246	2 -
17	Bush d.10-h.3,5	-	-	-	-	-	AP9100053	2 -
18	Windshield decal	-	-	-	-	-	AP8166799	1 DI099

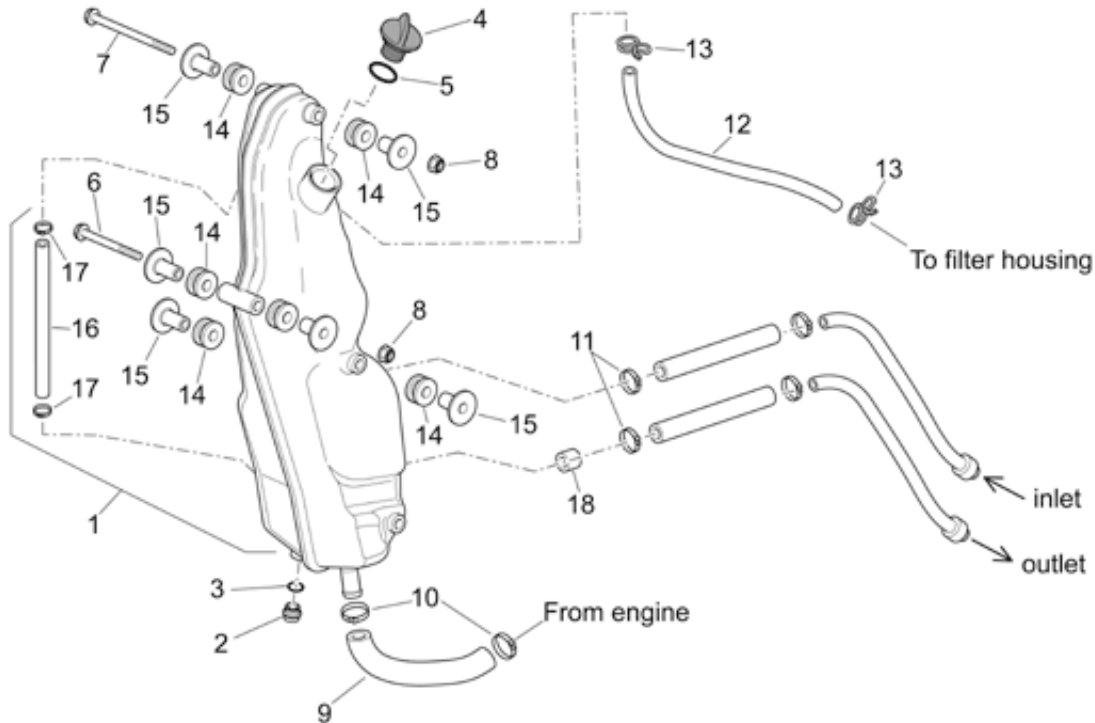


Pos.	Description	Year	I_M_	Country	Version	Code	Q.ty	P.Cod.
1	RH air duct	7	-	-	D	white	AP9101050	1 DD01A
	RH air duct	6	-	-	D	red	AP9100232	1 DD01A
2	LH air duct	6	-	-	D	red	AP9100231	1 DD01B
	LH air duct	7	-	-	D	white	AP9101051	1 DD01B
3	Water cooler grille	-	-	-	-	-	AP9100366	2 DD309
4	Screw w/ flange M6x16 inox	-	-	-	-	-	AP9100645	6 -
5	Bush d.10-h.3,5	-	-	-	-	-	AP9100053	6 -
6	Clip M6*	-	-	-	-	-	AP8102376	6 -
7	Up.RH air duct, decal Lion	6	-	-	-	red	AP8166800	1 DI099
	Up.RH air duct, decal Lion	7	-	-	-	white	852958	1 DI099
8	Up.LH air duct, decal Lion	6	-	-	-	red	AP8166802	1 DI099
	Up.LH air duct, decal Lion	7	-	-	-	white	852959	1 DI099
9	Lo.RH air duct, decal Lion	7	-	-	-	white	852960	1 DI099
	Lo.RH air duct, decal Lion	6	-	-	-	red	AP8166801	1 DI099
10	Lo.LH air duct, decal Lion	7	-	-	-	white	852961	1 DI099
	Lo.LH air duct, decal Lion	6	-	-	-	red	AP8166803	1 DI099
11	Decal SXV 550	-	-	-	SX55	-	AP8166819	2 DI099
	Decal RXV 450	7	-	-	RX45	white	852984	2 DI099
	Decal RXV 550	7	-	-	RX55	white	852985	2 DI099
	Decal RXV 450	6	-	-	RX45	red	AP8166816	2 DI099
	Decal RXV 550	6	-	-	RX55	red	AP8166817	2 DI099
	Decal SXV 450	-	-	-	SX45	-	AP8166818	2 DI099

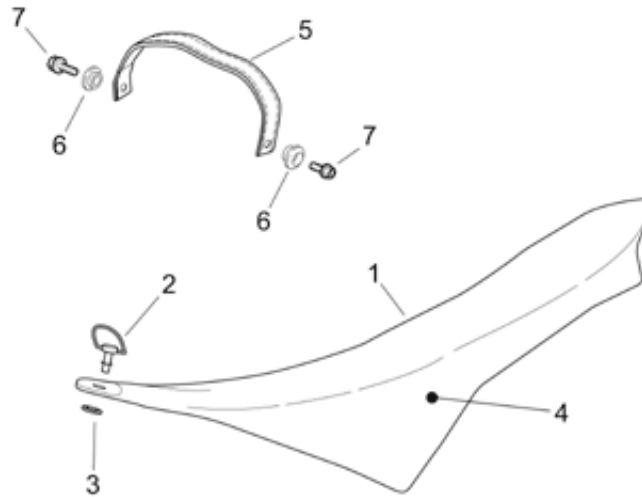


Pos.	Description	Year	I_M_	Country	Version	Code	Q.ty	P.Cod.
1	Fuel tank	6	-	-	ND	red	AP9100084	1 DA009
	Fuel tank	7	-	AA-EU-JP-UK	ND	white	AP9100084	1 DA009
	Fuel tank	7	-	CF	ND	white	851170	1 DA009
2	Plug	-	-	-	-	-	AP8220620	1 DA029
3	Gasket	-	-	-	-	-	AP8120683	1 DA189
4	Plate	-	-	-	-	-	AP9100080	2 -
5	Screw w/ flange M6x12*	-	-	-	-	-	AP8152277	4 -
6	Pin	-	-	-	-	-	AP9100078	1 -
7	Rubber spacer 26x12,2	-	-	-	-	-	AP9100767	2 -
8	T bush *	-	-	-	-	-	AP8121811	2 -
9	Screw 4,8x19*	-	-	-	-	-	AP8152169	2 -
10	Split pin *	-	-	-	-	-	AP8201431	2 -
11	Drift	-	-	-	-	-	AP9100082	1 -
12	Bush	-	-	-	-	-	AP9100081	1 -
13	Screw w/ flange M6x30*	-	-	-	-	-	AP8152281	1 -
14	Fuel pump cpl.	-	-	-	-	-	AP9100416	1 DA139
15	Fuel filter	-	-	-	-	-	AP9100930	1 DA099
16	Gasket	-	-	-	-	-	AP9100931	1 DA269
17	Thermistor	-	-	-	-	-	GU01103090	1 CD099
18	Screw w/ flange M6x16*	-	-	-	-	-	AP8152278	6 -
19	Plate	-	-	-	-	-	AP9100415	1 DG089
20	Inox self tapping screw 3,9x14	-	-	-	-	-	AP8150413	2 -
21	Pipe 5x9	-	-	-	-	-	AP8220402	1 -
22	RH Fuel tank decal Lion	7	-	AA-EU-JP-UK	-	white	852962	1 DI099
	Up.RH Fuel tank decal Lion	6	-	-	-	red	AP8166804	1 DI099
	RH Fuel tank decal Lion	7	-	CF	-	white	851417	1 DI099
23	LH Fuel tank decal Lion	7	-	AA-EU-JP-UK	-	white	852963	1 DI099
	Up.LH Fuel tank decal Lion	6	-	-	-	red	AP8166806	1 DI099

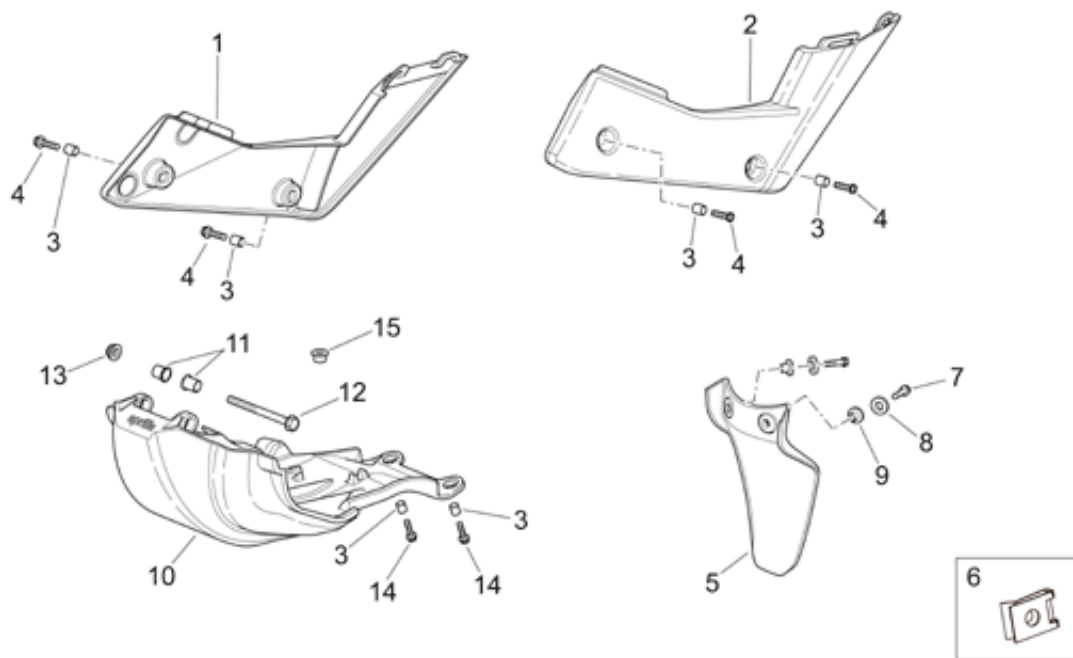
	LH Fuel tank decal Lion	7	-	CF	-	white	851419	1	DI099
24	Lo.RH Fuel tank decal Lion	6	-	-	-	red	AP8166805	1	DI099
25	Lo.LH Fuel tank decal Lion	6	-	-	-	red	AP8166807	1	DI099
26	Fuel tank cover	-	-	-	-	-	AP9100967	1	-
27	Plate	-	-	-	-	-	AP9100966	1	-
28	Washer 24,8x6,2x1	-	-	-	-	-	AP9100375	1	-



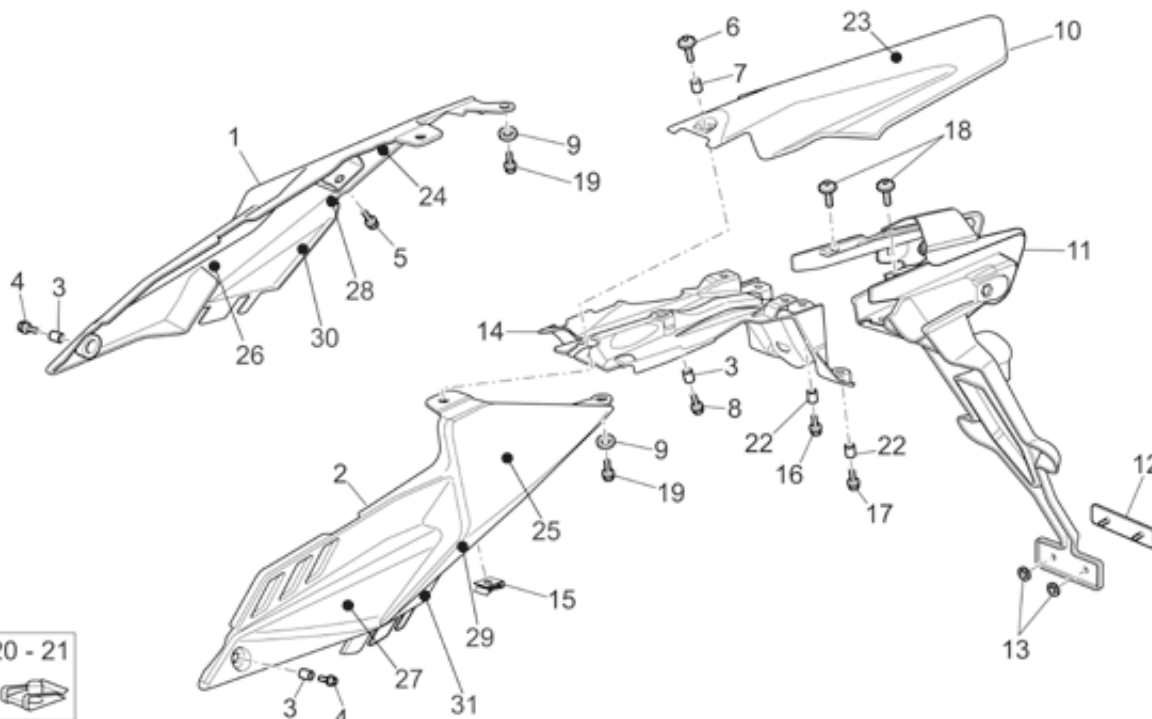
Pos.	Description	Year	I_M_	Country	Version	Code	Q.ty	P.Cod.
1	Oil tank	-	-	-	-	AP9100343	1	DA359
2	Oil unload plug	-	-	-	-	AP9150174	1	DA549
3	Seal washer D12x18x1,5	-	-	-	-	AP9150349	1	-
4	Oil plug M20x1,5	-	-	-	-	AP9150410	1	DA549
5	Gasket ring	-	-	-	-	AP8121638	1	-
6	Screw w/ flange M6x70	-	-	-	-	AP9100638	1	-
7	Screw w/ flange M6x1 L=95	-	-	-	-	AP9100661	1	-
8	Self-locking nut M6x1	-	-	-	-	AP9100434	2	-
9	Pipe Blow-By	-	-	-	-	AP9100496	1	-
10	Hose clip D16,5X6,6	-	-	-	-	AP8102903	2	-
11	Hose clip d.15,5x6,6*	-	-	-	-	AP8101586	2	-
12	Oil breather pipe 9x14	-	-	-	-	AP8120987	1	-
13	Hose cock	-	-	-	-	AP8102525	2	-
14	Rubber spacer *	-	-	-	-	AP8120223	6	-
15	Bush D14-D9-d6.5-H12	-	-	-	-	AP9100950	6	-
16	Oil level pipe	-	-	-	-	AP9100665	1	-
17	Hose clip	-	-	-	-	AP9100951	2	-
18	Rubber pipe L=28	-	-	-	-	AP9100267	1	-



Pos.	Description	Year	I_M_	Country	Version	Code	Q.ty	P.Cod.
1	Saddle	6	-	-	-	AP9100280	1	DG009
	Saddle	7	-	-	SX	851192	1	DG009
	Saddle	7	-	-	RX	851115	1	DG009
2	Release device	-	-	-	-	AP9100365	1	-
3	Washer Teflon	-	-	-	-	AP9100087	1	-
4	Saddle casing	6	-	-	-	AP9100281	1	-
5	Pillion seat strap	7	-	-	45-55-RX	851440	1	DG139
	Pillion seat strap	7	-	-	45-55-SX	851373	1	DG139
6	T bush *	7	-	-	-	AP8121075	2	-
7	Screw w/ flange M6x20*	7	-	-	-	AP8152279	2	-

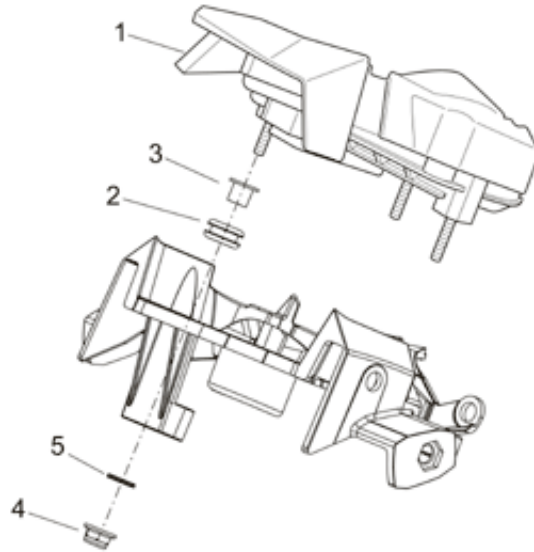


Pos.	Description	Year	I_M_	Country	Version	Code	Q.ty	P.Cod.
1	RH side panel, black	-	-	-	-	AP9100090	1	DD03A
2	LH side panel, black	-	-	-	-	AP9100091	1	DD03B
3	Bush d.10-h.3,5	-	-	-	-	AP9100053	6	-
4	Screw w/ flange M6x16 inox	-	-	-	-	AP9100645	4	-
5	Shock absorber cover	-	-	-	-	AP9100504	1	DD089
6	Clip M5*	-	-	-	-	AP8102375	2	-
7	Screw w/ flange M5x20*	-	-	-	-	AP8152274	2	-
8	Heat shield washer	-	-	-	-	AP8144064	2	-
9	T bush *	-	-	-	-	AP8121736	2	-
10	Sump guard	-	-	-	-	AP9100347	1	DD169
11	Bush	-	-	-	-	AP9100778	2	-
12	Screw w/ flange M6x1 L=95	-	-	-	-	AP9100661	1	-
13	Self-locking nut M6x1	-	-	-	-	AP9100434	1	-
14	Screw w/ flange M6x20*	-	-	-	-	AP8152279	2	-
15	Silent-block *	-	-	-	-	AP8101372	1	-

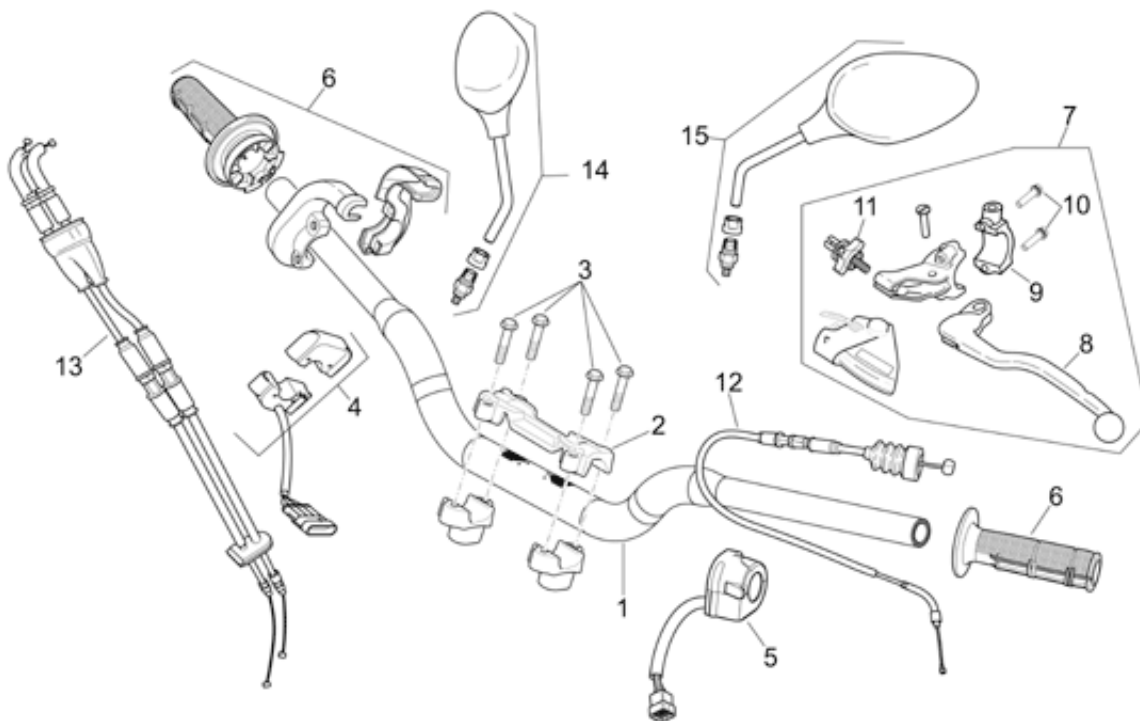


Pos.	Description	Year	I_M_	Country	Version	Code	Q.ty	P.Cod.
1	Rh rear fairing	7	-	-	D	white	AP9101053	1 DD17A
	Rh rear fairing	6	-	-	D	red	AP9100098	1 DD17A
2	Lh rear fairing	6	-	-	D	red	AP9100099	1 DD17B
	Lh rear fairing	7	-	-	D	white	AP9101054	1 DD17B
3	Bush d.10-h.3,5	-	-	-	-	-	AP9100053	3 -
4	Screw w/ flange M6x16 inox	-	-	-	-	-	AP9100645	2 -
5	Screw w/ flange M6x25*	-	-	-	-	-	AP8152280	2 -
6	Hex socket screw M6x25*	-	-	-	RX-SX	-	AP8152117	1 -
7	Bush 10x7	-	-	-	-	-	AP9100594	1 -
8	Screw w/ flange M6x20*	-	-	-	RX-SX	-	AP8152279	1 -
9	Washer 6,6x18x1,6*	-	-	-	-	-	AP8150015	2 -
10	Rear mudguard	7	-	-	D-RX-SX	white	AP9101055	1 DD059
	Rear mudguard	6	-	-	D-RX-SX	red	AP9100609	1 DD059
11	Number plate holder	-	-	-	RX-SX	-	AP9100610	1 DD069
12	Rear reflector	-	-	-	RX-SX	-	AP8112202	1 CB08F
13	Washer for shafts D5	-	-	-	RX-SX	-	AP8150450	1 -
14	Saddle supp.lower lockup	-	-	-	RX-SX	-	AP9100288	1 DD459
15	Clip M6*	-	-	-	RX-SX	-	AP8102376	1 -
16	Screw w/ flange M6x20*	-	-	-	RX-SX	-	AP8152279	2 -
17	Screw w/ flange M6x20*	-	-	-	RX-SX	-	AP8152279	1 -
18	Screw w/ flange M5x9	-	-	-	RX-SX	-	AP8152339	2 -
19	Screw w/ flange M6x12*	-	-	-	-	-	AP8152277	2 -
20	Clip M5*	-	-	-	RX-SX	-	AP8102375	4 -
21	Clip M6*	-	-	-	RX-SX	-	AP8102376	3 -
22	T bush *	-	-	-	RX-SX	-	AP8121795	2 -
23	Sticker rear mudguard	7	-	-	-	white	852972	1 DI009
	Sticker rear mudguard	6	-	-	-	red	AP8166814	1 DI009
24	RH decal numbers	7	-	-	-	white	852970	1 DI009

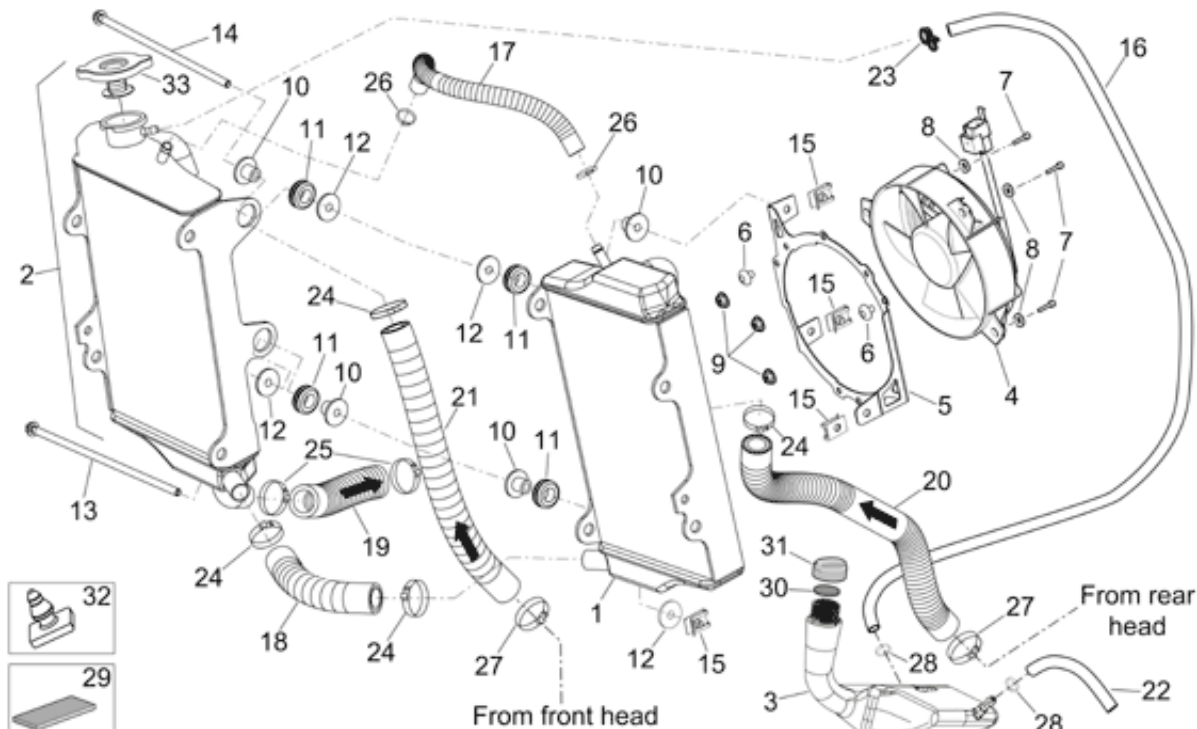
	RH decal numbers	6	-	-	-	red	AP8166808	1	DI009
25	LH decal numbers	7	-	-	-	white	852971	1	DI009
	LH decal numbers	6	-	-	-	red	AP8166809	1	DI009
26	RH rear fairing dec. Aprilia 1	6	-	-	-	red	AP8166810	1	DI009
	Front RH rear fairing dec. RXV	7	-	-	-	white	852964	1	DI009
27	Front LH rear fairing dec. RXV	7	-	-	-	white	852965	1	DI009
	LH rear fairing dec. Aprilia 1	6	-	-	-	red	AP8166812	1	DI009
28	RH rear fairing dec. Aprilia 2	6	-	-	-	red	852036	1	DI009
	Rear RH rear fairing dec. RXV	7	-	-	-	white	852966	1	DI009
29	LH rear fairing dec. Aprilia 2	6	-	-	-	red	852037	1	DI009
	Rear LH rear fairing dec. RXV	7	-	-	-	white	852967	1	DI009
30	RH rear fairing dec., black	7	-	-	-	white	852968	1	DI009
31	LH rear fairing dec., black	7	-	-	-	white	852969	1	DI009



Pos.	Description	Year	I_M_	Country	Version	Code	Q.ty	P.Cod.
1	Dashboard	-	-	-	RX-SX	-	AP9100516	1 JA009
2	Rubber spacer *	-	-	-	RX-SX	-	AP8112600	3 -
3	T bush *	-	-	-	RX-SX	-	AP8121795	3 -
4	Low self-locking nut M5*	-	-	-	RX-SX	-	AP8150451	3 -
5	Washer 5,5x15x1,6*	-	-	-	RX-SX	-	AP8150013	3 -

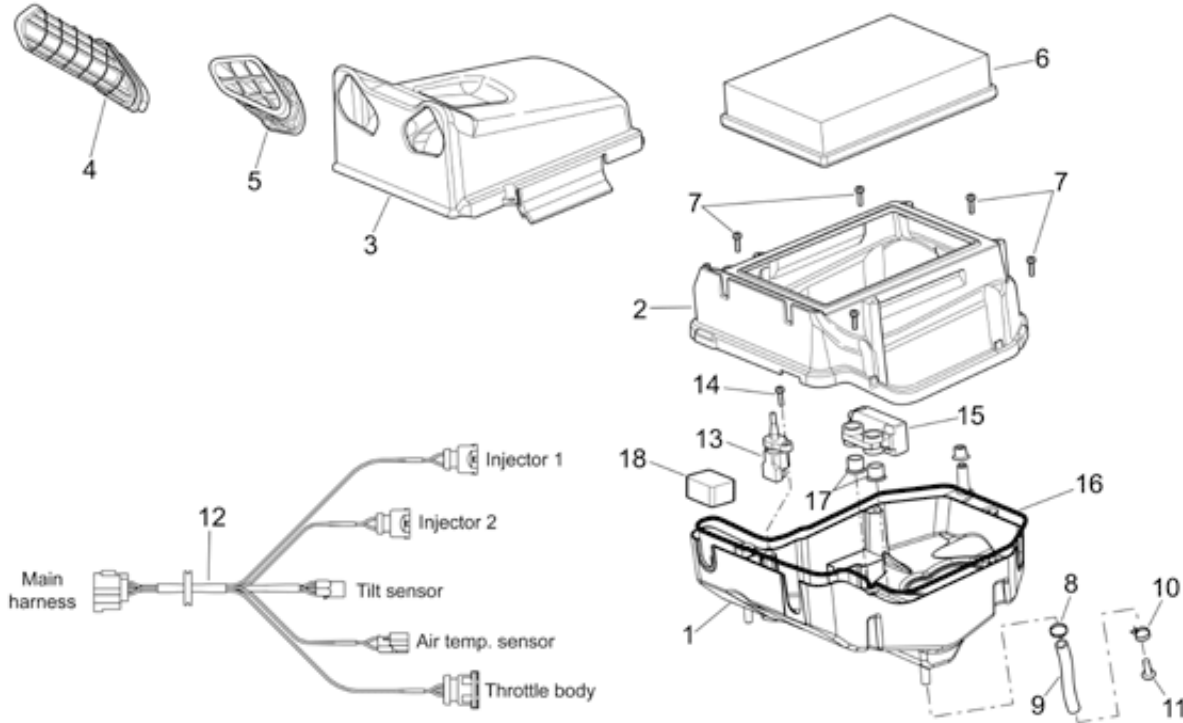


Pos.	Description	Year	I_M_	Country	Version	Code	Q.ty	P.Cod.
1	Handlebar	-	-	-	RX-SX	AP9100704	1	BC009
2	Upper U-bolt	-	-	-	-	AP9100297	1	BD149
3	Screw w/ flange M8x35*	-	-	-	-	AP8152289	4	-
4	RH lights selector	-	-	-	RX-SX	AP9100514	1	CD10A
5	LH lights selector	-	-	-	RX-SX	AP9100513	1	CD10B
6	Throttle+hand grip	-	-	-	-	AP9100801	1	BC019
7	Clutch control	-	-	-	RX-SX	AP9100636	1	BC059
8	Clutch lever	-	-	-	RX-SX	AP9100939	1	BC059
9	U-bolt	-	-	-	RX-SX	AP9100940	1	BD149
10	Screw w/ flange M6x25*	-	-	-	RX-SX	AP8152280	2	-
11	Clutch cable register	-	-	-	RX-SX	AP9100941	1	-
12	Clutch control	-	-	-	RX-SX	AP9100486	1	HA059
13	Gas lever transmission	-	-	-	-	AP9100802	1	HA029
14	RH rearview mirror	-	-	-	RX-SX	AP8104921	1	DD09A
15	LH rearview mirror	-	-	-	RX-SX	AP8104922	1	DD09B

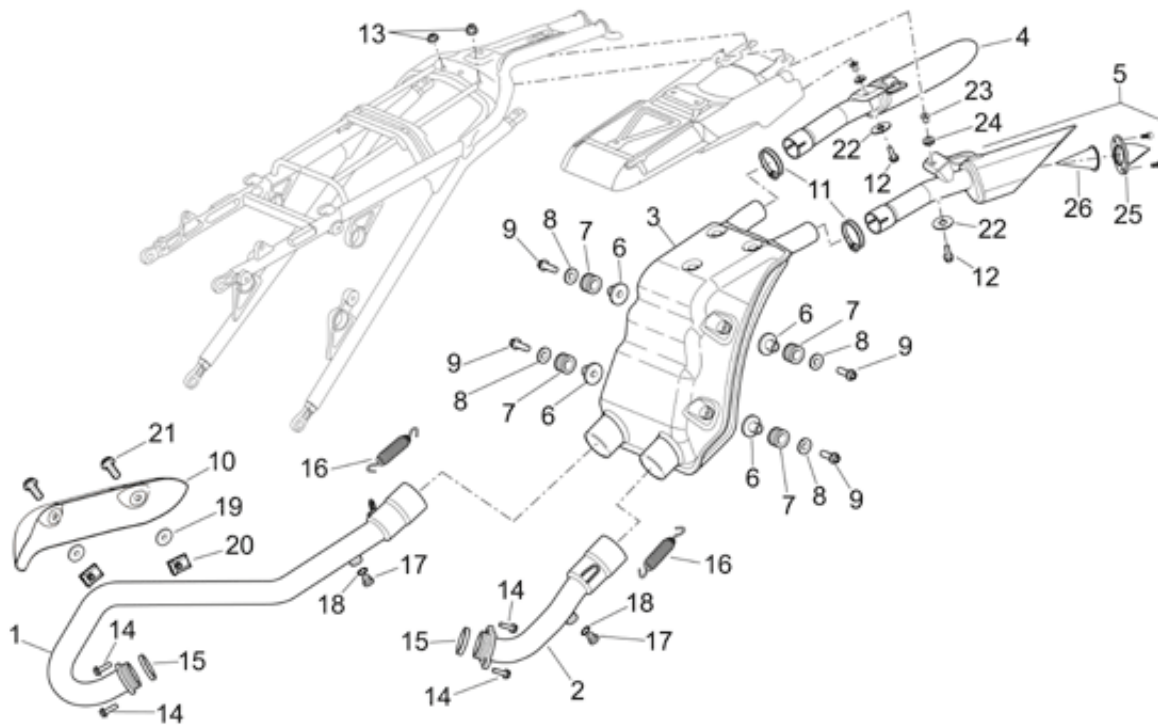


Pos.	Description	Year	I_M_	Country	Version	Code	Q.ty	P.Cod.
1	Water cooler, LH	-	-	-	-	AP9100348	1	GA00B
2	Water cooler, RH	-	-	-	-	AP9100349	1	GA00A
3	Expansion tank	-	-	-	RX-SX	AP9100506	1	GB009
4	Fan, cpl.	-	-	-	RX-SX	AP8124930	1	CE009
5	Fan support	-	-	-	RX-SX	AP9100780	1	GA219
6	Plug	-	-	-	RX-SX	AP8120876	2	-
7	Hex socket screw M5x12*	-	-	-	RX-SX	AP8152267	3	-
8	Washer 5,5x15x1,6*	-	-	-	RX-SX	AP8150013	3	-
9	Low self-locking nut M5*	-	-	-	RX-SX	AP8150451	3	-
10	Bush	-	-	-	-	AP9100376	4	-
11	Silent-block *	-	-	-	-	AP9100969	4	-
12	Washer 24,8x6,2x1	-	-	-	-	AP9100375	4	-
13	Screw w/ flange M6x133	-	-	-	-	AP9100781	1	-
14	Screw w/ flange M6x122	-	-	-	-	AP9100663	1	-
15	Clip M6*	-	-	-	-	AP8102376	3	-
16	Fuel pipe 5,5x10	-	-	-	-	AP8120952	1	-
17	Breather pipe 7,5X3,5	-	-	-	-	AP8144506	1	-
18	Pipe 23x15x125	-	-	-	-	AP9100555	1	GA109
19	Pipe 23x15x145	-	-	-	-	AP9100557	1	GA029
20	Pipe 23x15x395	-	-	-	-	AP9100553	1	GA019
21	Pipe 23x15x295	-	-	-	-	AP9100554	1	GA019
22	Fuel pipe 5,5x10	-	-	-	RX-SX	AP8120952	1	-
23	Hose clamp D11,3	-	-	-	-	AP8102378	1	GA069
24	Hose clip D22x8,6*	-	-	-	-	AP8201169	4	GA069
25	Hose clip 26x8	-	-	-	-	AP9100456	2	GA069
26	Hose clip 14,5x8	-	-	-	-	AP9100714	2	GA069
27	Hose clip 21x8	-	-	-	-	AP9100697	2	GA069
28	Hose clip, green D11x6,6x1	-	-	-	RX-SX	AP8120446	2	GA069

29	Adhesive sponge 6x30	-	-	-	-	-	AP8117041	2	-
30	Gasket	-	-	-	RX-SX	-	AP8220191	1	-
31	Expansion tank plug	-	-	-	RX-SX	-	AP8104124	1	GB009
32	Rubber spacer	-	-	-	RX-SX	-	AP8120455	1	-
33	Water cooler filler cap	-	-	-	-	-	AP9100948	1	GA099

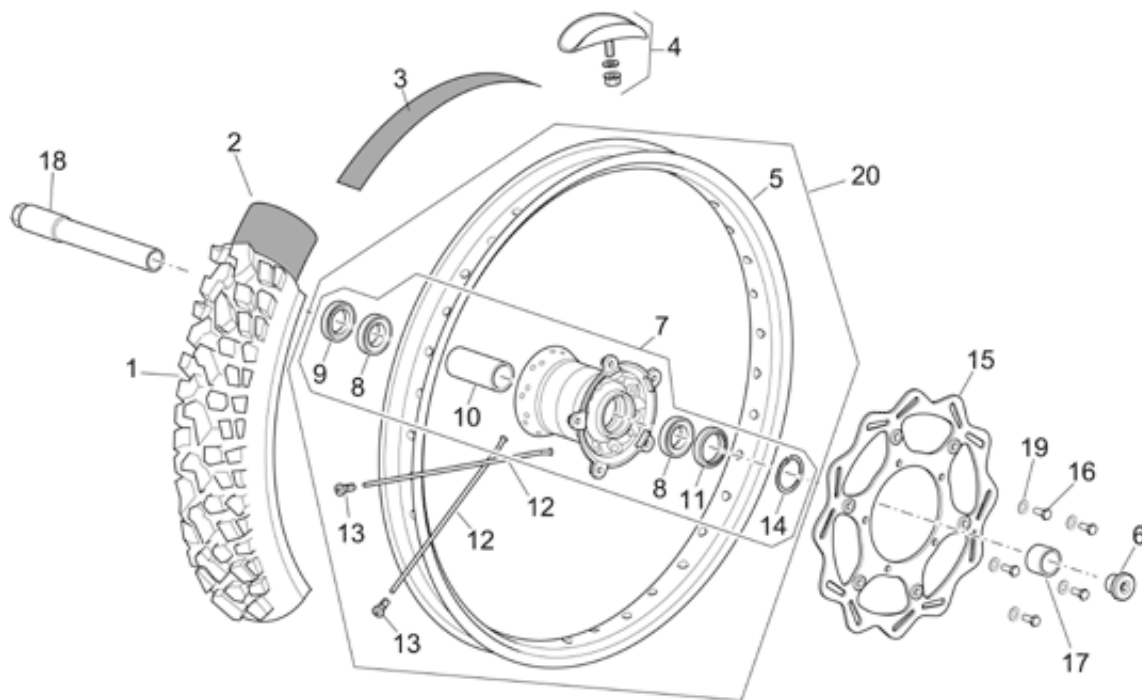


Pos.	Description	Year	I_M_	Country	Version	Code	Q.ty	P.Cod.
1	Filter housing base	-	-	-	550	AP9150531	1	EB019
	Filter housing base	-	-	-	450	AP9150530	1	EB019
2	Filter housing body	-	-	-	-	AP9100279	1	EB199
3	Cover	-	-	-	-	AP9100703	1	EB009
4	LH air intake	-	-	-	-	AP9100588	1	EB05A
5	RH air intake	-	-	-	-	AP9100587	1	EB05B
6	Air filter	-	-	-	-	AP8104329	1	EB029
7	Screw 4,2x16*	-	-	-	-	AP8152351	5	-
8	Hose clamp D10,1*	-	-	-	-	AP8101595	1	-
9	Fuel pipe 6x10	-	-	-	-	AP8144038	1	-
10	Hose clamp D9,1*	-	-	-	-	AP8102377	1	-
11	Plug	-	-	-	-	AP8120876	1	-
12	Wiring	-	-	-	-	AP9100455	1	CA299
13	Air temp. Sensor	-	-	-	-	AP9100427	1	AN059
14	Inox self tapping screw 3,9x14	-	-	-	-	AP8150413	1	-
15	Security sensor	-	-	-	RX-SX	AP9100428	1	CA369
16	Gasket D4	-	-	-	-	AP8120593	1	-
17	Bush	-	-	-	-	AP9101001	1	-
18	Filter Blow-by	-	-	-	-	AP9101017	1	GD059

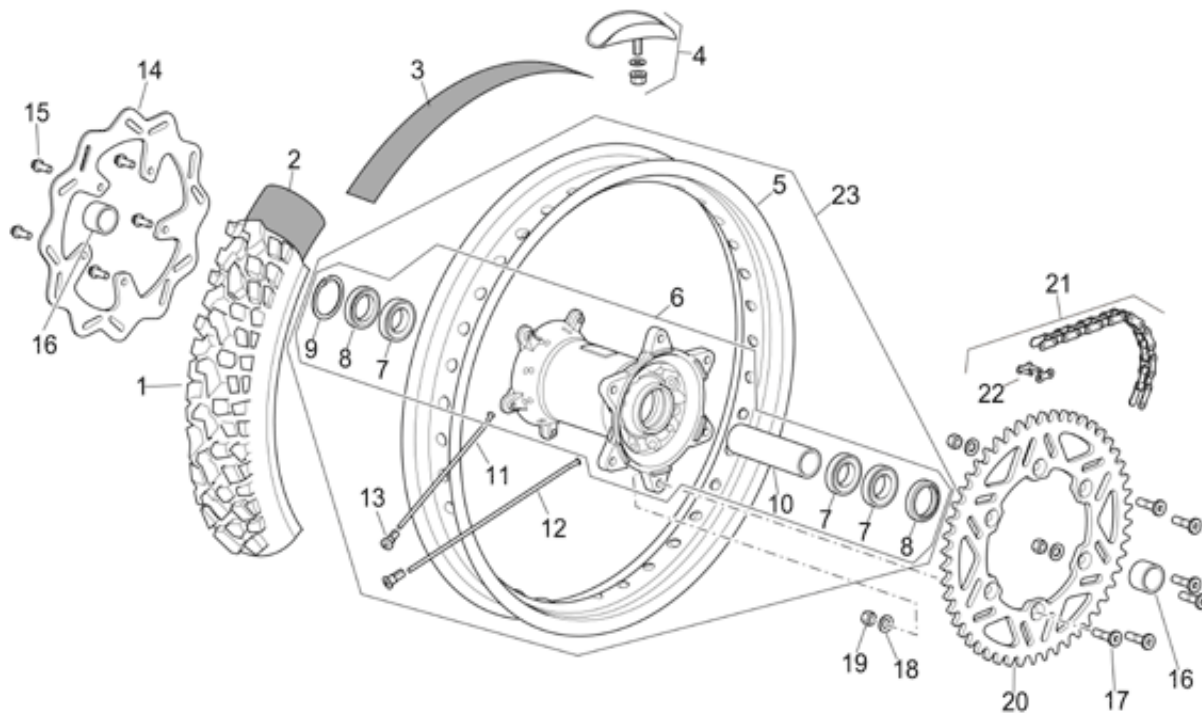


Pos.	Description	Year	I_M_	Country	Version	Code	Q.ty	P.Cod.
1	Front. Exhaust pipe	-	-	-	45-RX-SX	-	AP9100979	1 FA00E
	Front. Exhaust pipe	-	-	-	55-RX-SX	-	AP9100972	1 FA00E
2	Rear exhaust pipe	-	-	-	55-RX-SX	-	AP9100974	1 FA00F
	Rear exhaust pipe	-	-	-	45-RX-SX	-	AP9100981	1 FA00F
3	Silencer	-	-	-	RX-SX	-	AP9100414	1 FC009
4	RH terminal	-	-	CF	RX-SX	-	851022	1 FB079
	RH terminal	-	-	AA-EU-JP-UK	RX-SX	-	AP9100244	1 FB079
5	LH terminal	-	-	CF	RX-SX	-	851021	1 FB079
	LH terminal	-	-	AA-EU-JP-UK	RX-SX	-	AP9100249	1 FB079
6	Bush	-	-	-	-	-	AP9100409	4 -
7	Silent-block	-	-	-	-	-	AP9100845	4 -
8	Washer 8,3x20x1,5	-	-	-	-	-	AP9100736	4 -
9	Screw w/ flange M8x30*	-	-	-	-	-	AP8152288	4 -
10	RH exhaust pipe shield	-	-	-	-	-	AP9100238	1 FC019
11	Hose clamp D.30	-	-	-	RX-SX	-	AP9100241	2 -
12	Screw w/ flange M6x20*	-	-	-	RX-SX	-	AP8152279	2 -
13	Self-locking nut M6x1	-	-	-	RX-SX	-	AP9100434	2 -
14	Screw w/ flange M6x16*	-	-	-	-	-	AP8152278	4 -
15	Exhaust pipe gasket	-	-	-	-	-	AP9100252	2 AO03*
16	Exhaust pipes spring	-	-	-	-	-	AP8121170	2 -
17	CO intake screw	-	-	-	RX-SX	-	AP9100755	2 FA059
18	Washer 10x14x1	-	-	-	RX-SX	-	AP8119603	2 -
19	Insulating washer	-	-	-	RX-SX	-	AP8120870	2 -
20	Clip M6*	-	-	-	-	-	AP8102376	2 -
21	Screw w/ flange M6x12	-	-	-	-	-	AP8152342	2 -
22	Washer 6,6x18x1,6*	-	-	-	RX-SX	-	AP8150015	2 -
23	T bush	-	-	-	RX-SX	-	AP9100302	2 -
24	Rubber spacer	-	-	-	RX-SX	-	AP9100301	2 -

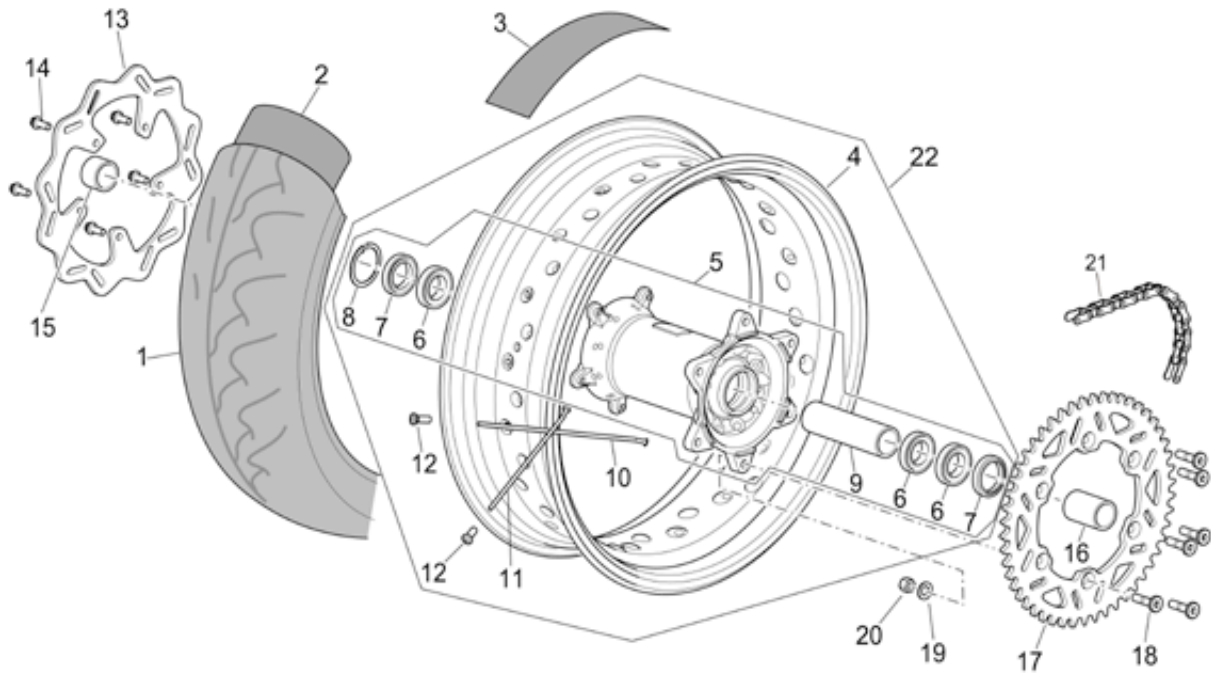
25	Bottom	-	-	CF	RX-SX	-	851172	2	-
26	Spark arrester	-	-	CF	RX-SX	-	851171	2	-



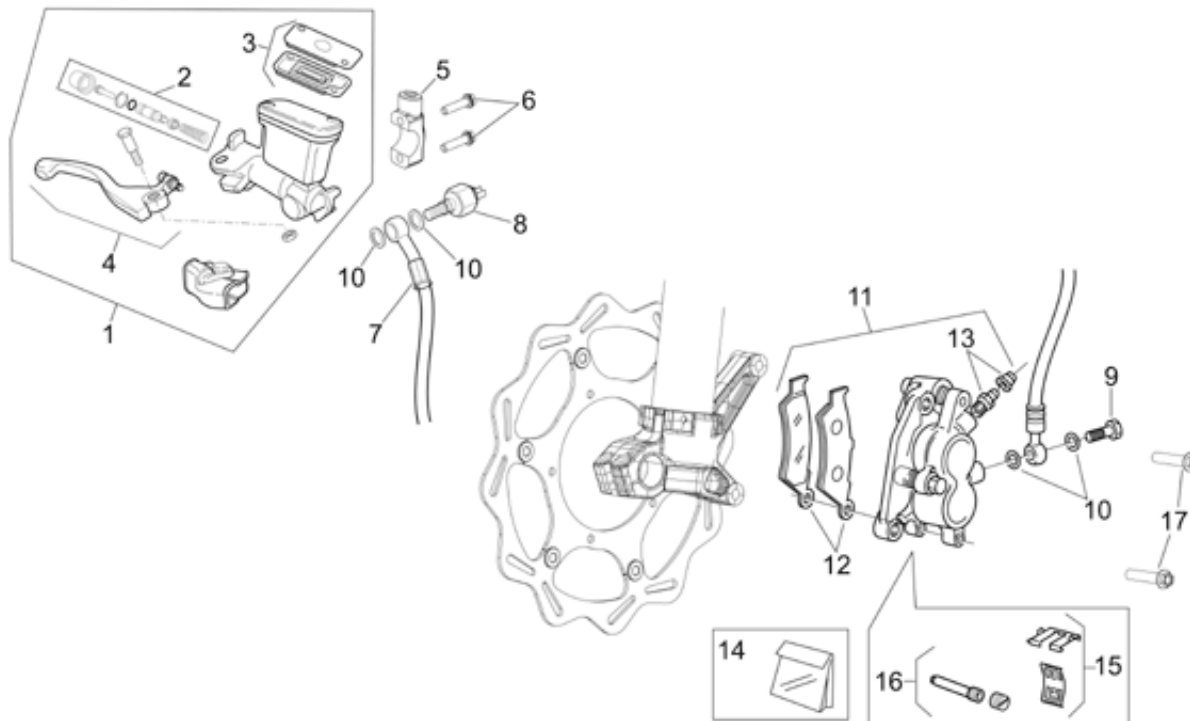
Pos.	Description	Year	I_M_	Country	Version	Code	Q.ty	P.Cod.
1	Front tyre 90/90X21"	-	-	-	RX	-	AP9100507	1 BB04E
2	Inner tube 21"	-	-	-	RX	-	AP9100458	1 BB05E
3	Front wheel flap 21"	-	-	-	RX	-	AP8109001	1 BB34E
4	Clamp	-	-	-	RX	-	AP9100457	1 -
5	Front wheel 1,6x21"	-	-	-	RX	-	AP9100262	1 BB11E
6	Plug M22	-	-	-	RX	-	AP9100171	1 -
7	Front hub	-	-	-	RX	-	AP9100225	1 BB14E
8	Ball bearing 25x42x9	-	-	-	RX	-	AP9100216	2 BB01E
9	Gasket ring 28x42x7	-	-	-	RX	-	AP9100228	1 -
10	Internal spacer L=69,7	-	-	-	RX	-	AP9100226	1 BB32E
11	Gasket ring 32x42x7	-	-	-	RX	-	AP9100227	1 -
12	Spoke d.3,5-21"-I.233	-	-	-	RX	-	AP9100224	36 BB12E
13	Nipple	-	-	-	RX	-	AP9100057	36 BB13E
14	Circlip D.42	-	-	-	RX	-	AP8121334	1 -
15	Front brake disc d.270	-	-	-	RX	-	AP9100461	1 IA08E
16	Hex screw M6x16	-	-	-	RX	-	AP8150070	5 -
17	Outside spacer L=26,3	-	-	-	RX	-	AP9100229	1 BB32E
18	Front wheel spindle L=221,5	-	-	-	RX	-	AP9100230	1 BB03E
19	Spring washer 6,4x11x0,5*	-	-	-	RX	-	AP8150429	5 -
20	Front wheel 21"	-	-	-	RX	-	851063	1 BB23E



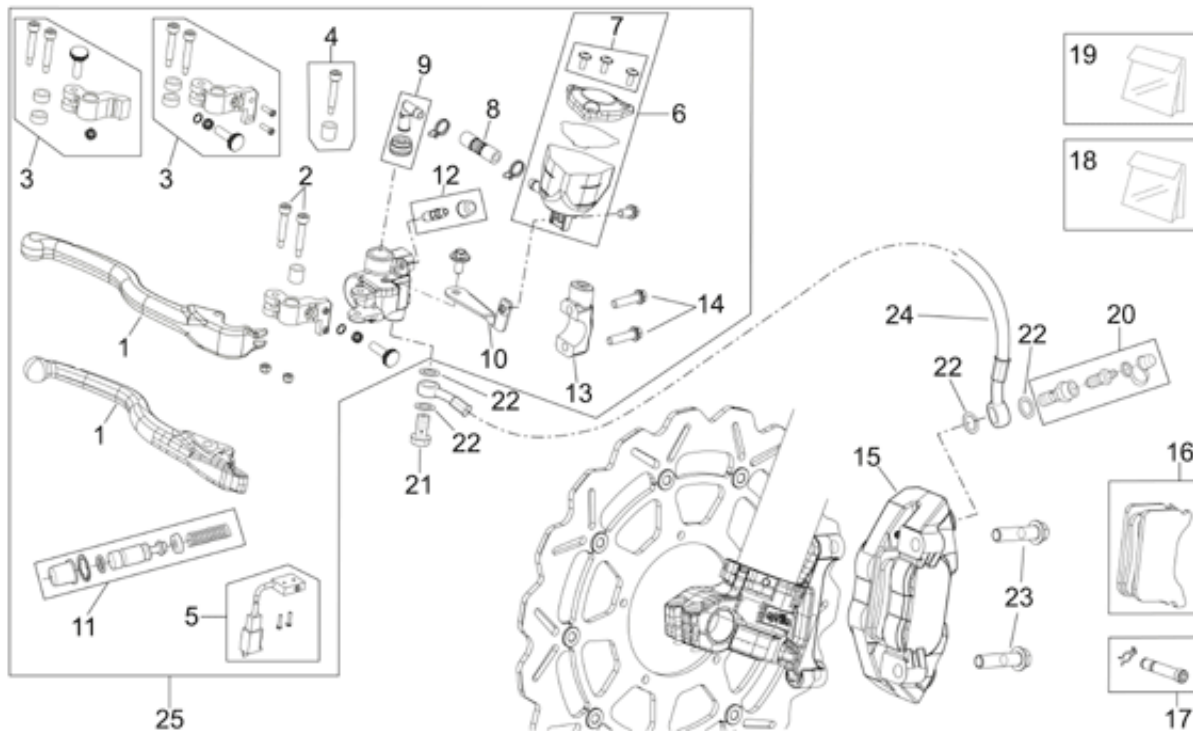
Pos.	Description	Year	I_M_	Country	Version	Code	Q.ty	P.Cod.
1	Rear tyre 140/80X18"	-	-	-	RX	-	AP9100510	1 BB04F
2	Inner tube 18"	-	-	-	RX	-	AP9100508	1 BB05F
3	Rear wheel flap 18"	-	-	-	RX	-	AP8109281	1 BB34F
4	Tyre clamp	-	-	-	RX	-	AP9100462	1 -
5	Rear wheel 2,15X18"	-	-	-	RX	-	AP9100261	1 BB11F
6	Rear hub	-	-	-	RX	-	AP9100214	1 BB14F
7	Ball bearing 25x42x9	-	-	-	RX	-	AP9100216	3 BB01F
8	Gasket ring 32x42x7	-	-	-	RX	-	AP9100227	2 -
9	Circlip D.42	-	-	-	RX	-	AP8121334	1 -
10	Internal spacer L=106,5	-	-	-	RX	-	AP9100215	1 BB32F
11	Spoke d.4-18"-l.196,5	-	-	-	RX	-	AP9100056	18 BB12F
12	Spoke d.4-18"-l.199,5	-	-	-	RX	-	AP9100211	18 BB12F
13	Nipple d.4	-	-	-	RX	-	AP9100213	36 BB13F
14	Rear brake disc d.240	-	-	-	RX	-	AP9100466	1 IA08F
15	Screw w/ flange M6x16*	-	-	-	RX	-	AP8152278	5 -
16	Outside spacer L=21,9	-	-	-	RX	-	AP9100595	2 -
17	Screw M8x30	-	-	-	RX	-	AP9100467	6 -
18	Washer 8,4x16x1,6*	-	-	-	RX	-	AP8150017	6 -
19	Low self-locking nut M8x1,25	-	-	-	RX	-	AP9100432	6 -
20	Chain ring Z=48	-	-	-	RX	-	AP9100336	1 HB019
21	Chain	-	-	-	RX	-	AP9100531	1 HB009
22	Connecting link 5/8x1/4	-	-	-	RX	-	AP9100533	1 HB009
23	Rear wheel 18"	-	-	-	RX	-	851065	1 BB23F



Pos.	Description	Year	I_M_	Country	Version	Code	Q.ty	P.Cod.
1	Rear tyre 180/55X17"	-	-	-	SX	-	AP9100608	1 BB04F
2	Inner tube 17"	-	-	-	SX	-	AP9100526	1 BB05F
3	Flap 17"	-	-	-	SX	-	AP9100527	1 BB34F
4	Rear wheel 5,5X17"	-	-	-	SX	-	AP9100560	1 BB11F
5	Rear hub	-	-	-	SX	-	AP9100322	1 BB14F
6	Ball bearing 25x42x9	-	-	-	SX	-	AP9100216	3 BB01F
7	Gasket ring 32x42x7	-	-	-	SX	-	AP9100227	2 -
8	Circlip D.42	-	-	-	SX	-	AP8121334	1 -
9	Internal spacer L=134,3	-	-	-	SX	-	AP9100584	1 BB32F
10	Spoke 4-17"-I.189	-	-	-	SX	-	AP9100559	18 BB12F
11	Spoke d.4-17"-I.184	-	-	-	SX	-	AP9100107	18 BB12F
12	Nipple d.4	-	-	-	SX	-	AP9100569	36 BB13F
13	Rear brake disc d.240	-	-	-	SX	-	AP9100466	1 IA08F
14	Screw w/ flange M6x16*	-	-	-	SX	-	AP8152278	5 -
15	Outside spacer L=21,9	-	-	-	SX	-	AP9100595	1 -
16	Outside spacer L=45,1	-	-	-	SX	-	AP9100596	1 -
17	Chain ring Z=46	-	-	-	SX	-	AP9100334	1 HB019
18	Screw M8x30	-	-	-	SX	-	AP9100467	6 -
19	Washer 8,4x16x1,6*	-	-	-	SX	-	AP8150017	6 -
20	Low self-locking nut M8x1,25	-	-	-	SX	-	AP9100432	6 -
21	Chain 5/8x1/4	-	-	-	SX	-	AP9100715	1 HB009
22	Rear wheel 17"	-	-	-	SX	-	851066	1 BB23F

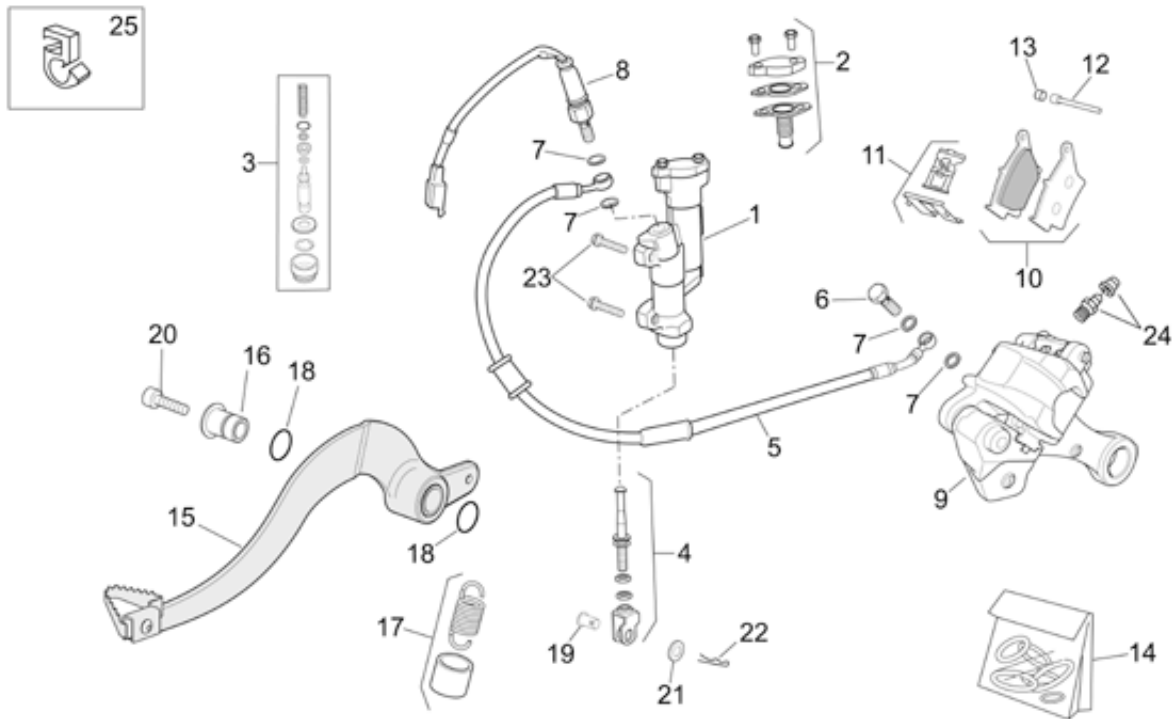


Pos.	Description	Year	I_M_	Country	Version	Code	Q.ty	P.Cod.
1	Front master cilinder Nissin	-	-	-	RX	-	AP9100257	1 IA00E
2	Piston, kit	-	-	-	RX	-	AP9100785	1 IA34E
3	Plug revision kit	-	-	-	RX	-	AP9100786	1 IA259
4	Lever overhaul kit	-	-	-	RX	-	AP9100787	1 IA01E
5	Collar	-	-	-	RX	-	AP9100707	1 IA029
6	Screw w/ flange M6x25*	-	-	-	RX	-	AP8152280	2 -
7	Front brake hose	-	-	-	RX	-	AP9100642	1 IA05E
8	Hex screw M10x1,25	-	-	-	RX	-	AP9100472	1 -
	Front brake light sw.	-	-	-	RX	-	AP9100418	1 CD00E
10	Washer 14x10,2x1	-	-	-	RX	-	AP9100473	4 -
11	Front brake caliper	-	-	-	RX	-	AP9100256	1 IA06E
12	Pads pair	-	-	-	RX	-	AP9100788	1 IA07E
	Pads pair "UP"	-	-	-	OPT-RX	-	AP9101031	1 NOGAR
	Pads pair "DOWN"	-	-	-	OPT-RX	-	AP9101032	1 NOGAR
13	Bleeder kit	-	-	-	RX	-	AP9100789	1 IA11E
14	Brake caliper rev. kit	-	-	-	RX	-	AP9100790	1 IA11E
15	Spring	-	-	-	RX	-	AP9100791	1 IA11E
16	Pin with cotter	-	-	-	RX	-	AP9100792	1 IA11E
17	Screw w/ flange M8x40*	-	-	-	RX	-	AP8152290	2 -

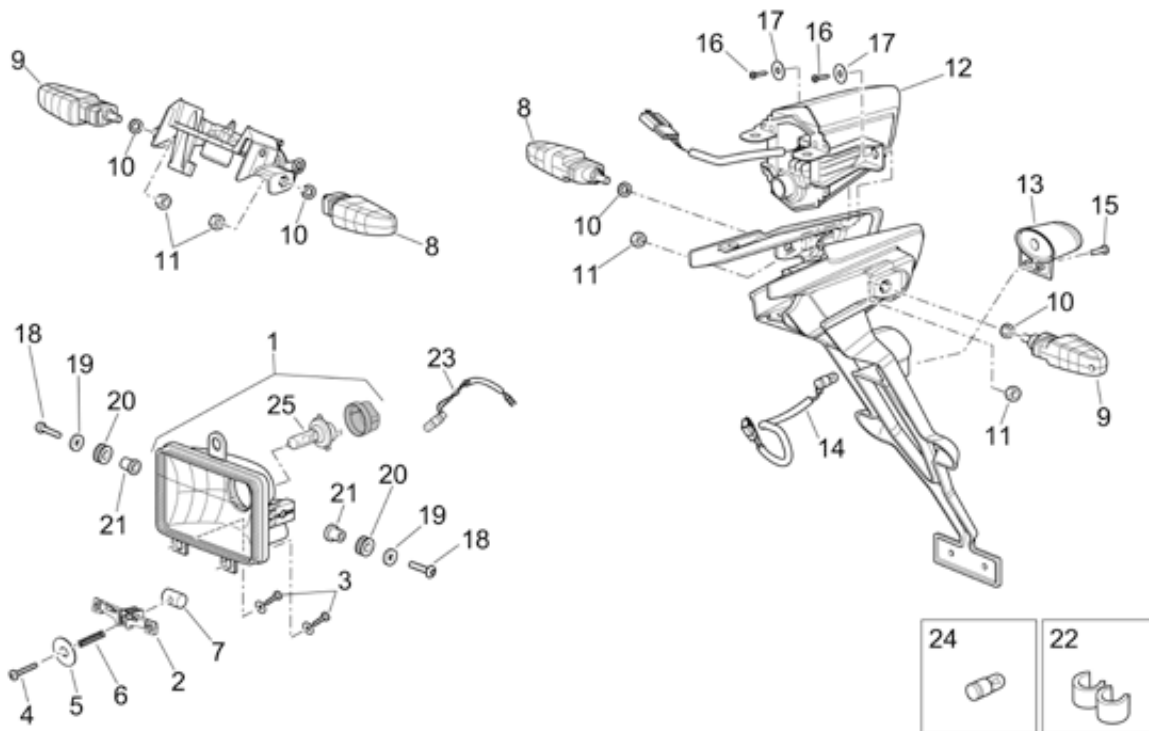


Pos.	Description	Year	I_M_	Country	Version	Code	Q.ty	P.Cod.
1	Lever	-	-	-	SX-T1	AP9100922	1	IA01E
	Lever	-	-	-	SX-T2	851366	1	IA01E
2	Screw	-	-	-	SX	AP9100921	1	-
3	Lever overhaul kit	-	-	-	SX-T2	851367	1	IA01E
	Lever overhaul kit	-	-	-	SX-T1	AP9100920	1	IA01E
4	Pressing kit	-	-	-	SX	AP9100919	1	-
5	Brake light switch	-	-	-	SX	AP9100918	1	CD00E
6	Oil tank	-	-	-	SX	AP9100917	1	IA12E
7	Screw	-	-	-	SX	AP9100916	1	-
8	Brake fluid line	-	-	-	SX	AP9100915	1	IA319
9	Union	-	-	-	SX	AP9100914	1	IA15E
10	Plate	-	-	-	SX-T2	851368	1	-
	Plate	-	-	-	SX-T1	AP9100913	1	-
11	Pump revision kit	-	-	-	SX	AP9100912	1	IA34E
12	Bleeder kit	-	-	-	SX	AP9100911	1	IA11E
13	U-bolt	-	-	-	SX	AP9100910	1	IA029
14	Screw w/ flange M6x25*	-	-	-	SX	AP8152280	2	-
15	Front brake caliper	-	-	-	SX	AP9100713	1	IA06E
16	Pads pair	-	-	-	OPT-SX	851032	1	NOGAR
	Pads pair	-	-	-	SX	AP9100906	1	IA07E
17	Pin with cotter	-	-	-	SX	AP9100907	1	IA11E
18	Brake caliper rev. kit	-	-	-	SX	AP9100908	1	IA11E
19	Brake pistons, pair	-	-	-	SX	AP9100909	1	IA18E
20	Bleeder revision kit	-	-	-	SX	AP9100905	1	IA11E
21	Oil pipe screw	-	-	-	SX	AP9100763	1	-
22	Copper washer	-	-	-	SX	AP8121915	4	-
23	Screw w/ flange M10x1,25x40	-	-	-	SX	AP9100749	2	-
24	Front brake hose	-	-	-	SX	AP9100712	1	IA05E

25	Front master cilinder FTE	-	-	-	SX-T1	-	AP9100711	1	IA00E
	Front master cilinder FTE	-	-	-	SX-T2	-	851348	1	IA00E

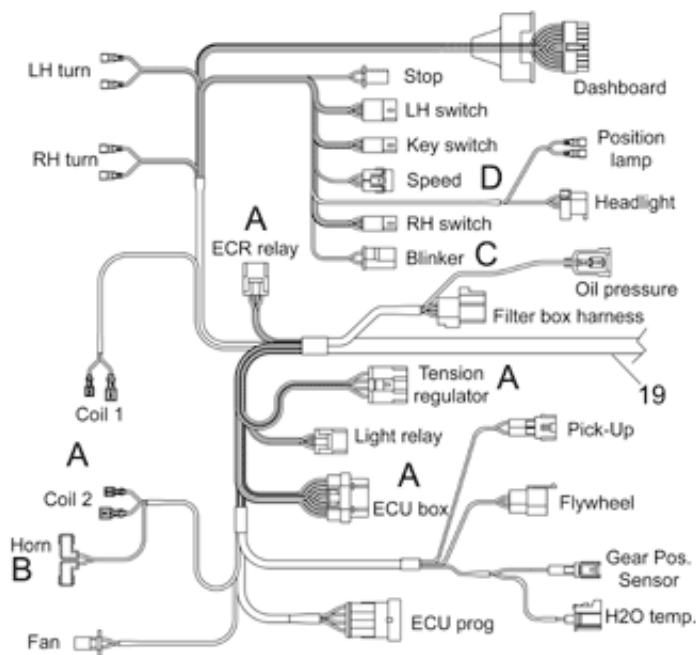
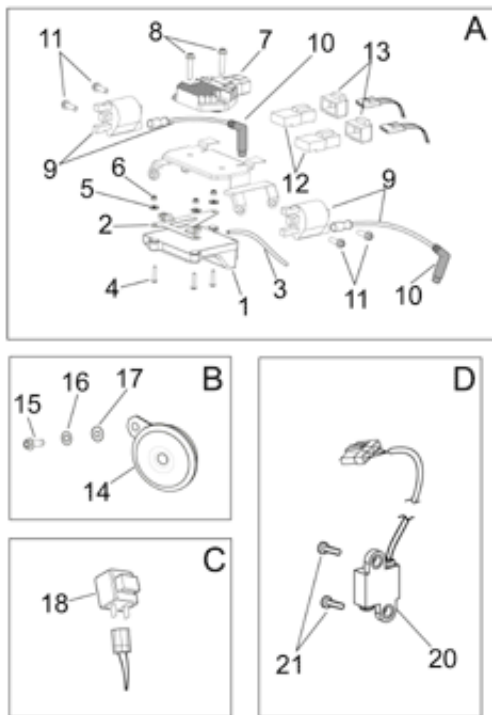


Pos.	Description	Year	I_M_	Country	Version	Code	Q.ty	P.Cod.
1	Rear master cylinder	-	-	-	-	AP9100475	1	IA00F
2	Plug revision kit	-	-	-	-	AP9100794	1	IA259
3	Piston, kit	-	-	-	-	AP9100793	1	IA34F
4	Lever overhaul kit	-	-	-	-	AP9100795	1	IA01F
5	Rear brake hose	-	-	-	-	AP9100478	1	IA05F
6	Hex screw M10x1,25	-	-	-	-	AP9100472	2	-
7	Washer 14x10,2x1	-	-	-	-	AP9100473	4	-
8	Brake light switch	-	-	-	-	AP9100417	1	CD00F
9	Rear brake caliper	-	-	-	-	AP9100479	1	IA06F
10	Pads pair "ORGANIC"	-	-	-	OPT	AP9101035	1	NOGAR
	Pads pair	-	-	-	-	AP9100797	1	IA07F
	Pads pair "UP"	-	-	-	OPT	AP9101033	1	NOGAR
	Pads pair "DOWN"	-	-	-	OPT	AP9101034	1	NOGAR
11	Spring	-	-	-	-	AP9100798	1	IA11F
12	Pin with cotter	-	-	-	-	AP9100800	1	IA11F
13	Plug	-	-	-	-	AP9100799	1	-
14	Brake caliper rev. kit	-	-	-	-	AP9100796	1	IA11F
15	Rear brake lever	-	-	-	-	AP9100356	1	IA01F
16	Bush	-	-	-	-	AP9100290	1	-
17	Spring	-	-	-	-	AP9100291	1	-
18	O-ring 18x2	-	-	-	-	AP9100477	2	-
19	Rear brake lever pin	-	-	-	-	AP9100354	1	-
20	Hex socket screw M8x20*	-	-	-	-	AP8150169	1	-
21	Washer 8,4x16x1,6*	-	-	-	-	AP8150017	1	-
22	Split pin	-	-	-	-	AP8101928	1	-
23	Screw w/ flange M6x16*	-	-	-	-	AP8152278	2	-
24	Bleeder kit	-	-	-	-	AP9100789	1	-
25	Spring	-	-	-	-	AP9100752	2	-

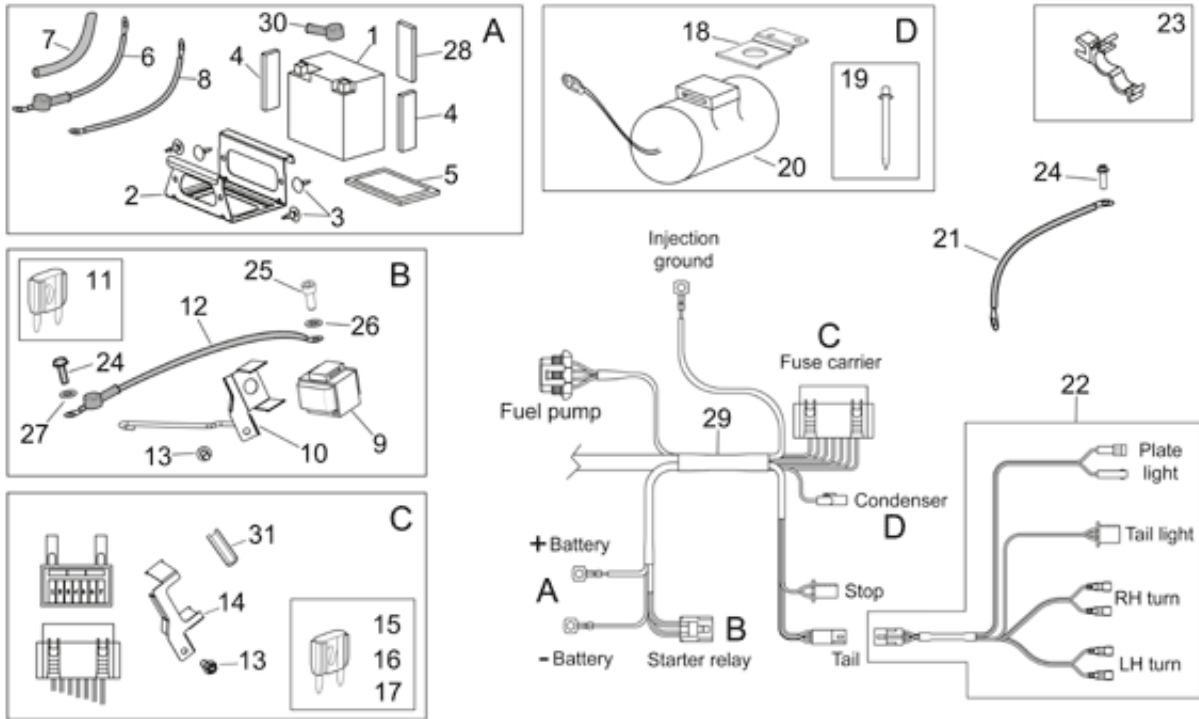


Pos.	Description	Year	I_M_	Country	Version	Code	Q.ty	P.Cod.
1	Headlight	6	-	JP	RX-SX	-	851033	1 CB109
	Headlight	7	-	-	RX-SX	-	851033	1 CB109
	Headlight	6	A	AA-UK	RX-SX	-	AP8127741	1 CB109
	Headlight	6	-	CF-EU	RX-SX	-	AP9100522	1 CB109
	Headlight	6	B	AA-UK	RX-SX	-	851033	1 CB109
2	Headlight adjuster rod	7	-	-	RX-SX	-	AP9100635	1 -
	Headlight adjuster rod	6	B	AA-UK	RX-SX	-	AP9100635	1 -
	Headlight adjuster rod	6	-	CF-EU-JP	RX-SX	-	AP9100635	1 -
3	Inox self tapping screw 3,9x14	6	B	AA-UK	RX-SX	-	AP8150413	2 -
	Inox self tapping screw 3,9x14	6	-	CF-EU-JP	RX-SX	-	AP8150413	2 -
	Inox self tapping screw 3,9x14	7	-	-	RX-SX	-	AP8150413	2 -
4	Screw M4x45 z.b.	6	-	CF-EU-JP	RX-SX	-	AP8150475	1 -
	Screw M4x45 z.b.	7	-	-	RX-SX	-	AP8150475	1 -
	Screw M4x45 z.b.	6	B	AA-UK	RX-SX	-	AP8150475	1 -
5	Washer 4,3x12x1*	6	B	AA-UK	RX-SX	-	AP8150011	1 -
	Washer 4,3x12x1*	6	-	CF-EU-JP	RX-SX	-	AP8150011	1 -
	Washer 4,3x12x1*	7	-	-	RX-SX	-	AP8150011	1 -
6	Headlight adjuster spring	6	B	AA-UK	RX-SX	-	AP8221198	1 -
	Headlight adjuster spring	6	-	CF-EU-JP	RX-SX	-	AP8221198	1 -
	Headlight adjuster spring	7	-	-	RX-SX	-	AP8221198	1 -
7	Bush	6	B	AA-UK	RX-SX	-	AP9100747	1 -
	Bush	6	-	CF-EU-JP	RX-SX	-	AP9100747	1 -
	Bush	7	-	-	RX-SX	-	AP9100747	1 -
8	LH front turn indicator	-	-	-	RX-SX	-	AP8127657	2 CB09*
9	RH front turn indicator	-	-	-	RX-SX	-	AP8127656	2 CB09*
10	Washer 8,4x16x1,6*	-	-	-	RX-SX	-	AP8150017	4 -
11	Low nut M8*	-	-	-	RX-SX	-	AP8152262	4 -
12	Taillight	-	-	-	RX-SX	-	AP9100523	1 CB049

13	Number-plate light	-	-	-	RX-SX	-	AP8127098	1	CB009
14	Plate light wiring	-	-	-	RX-SX	-	AP8124873	1	CA179
15	Inox self tapping screw 3,9x14	-	-	-	RX-SX	-	AP8150413	1	-
16	Inox self tapping screw 3,9x14	-	-	-	RX-SX	-	AP8150413	2	-
17	Washer 4,3x16*	-	-	-	RX-SX	-	AP8150159	2	-
18	Hex socket screw M6x20*	-	-	-	RX-SX	-	AP8152137	2	-
19	Washer 6,4x15x1	-	-	-	RX-SX	-	AP8152181	2	-
20	Rubber spacer *	-	-	-	RX-SX	-	AP8112600	2	-
21	T bush *	-	-	-	RX-SX	-	AP8121665	2	-
22	Spring	-	-	-	RX-SX	-	AP9100519	3	-
23	Headlight wiring w/harness	-	-	-	RX-SX	-	AP9100634	1	CA019
24	Lamp, orange WY2,3W	-	-	-	RX-SX	-	AP9100976	16	-
25	Lamp H4 60/55W 12V	-	-	-	RX-SX	-	AP8127121	1	-

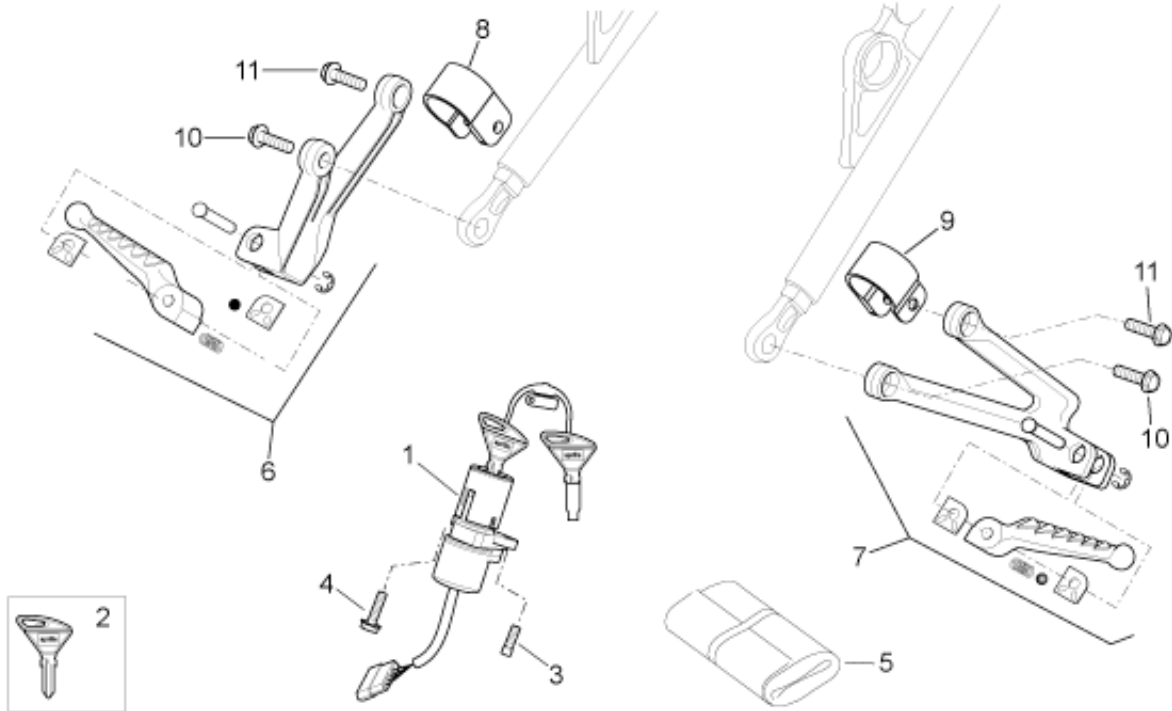


Pos.	Description	Year	I_M_	Country	Version	Code	Q.ty	P.Cod.
1	Electronic control unit	-	-	-	-	AP9100447	1	AM049
2	Control unit support plate	-	-	-	-	851023	1	AM109
3	Breather pipe	-	-	-	-	AP8220598	1	-
4	Hex socket screw M4x20	-	-	-	-	AP9100945	3	-
5	Washer 4,3x12x1*	-	-	-	-	AP8150011	3	-
6	Low self-locking nut M4*	-	-	-	-	AP8150204	3	-
7	Voltage regulator	-	-	-	-	AP9100424	1	CC019
8	Screw w/ flange M6x30*	-	-	-	-	AP8152281	1	-
9	Coil	-	-	-	-	AP9100429	2	AM01*
10	Sparkplug cap	-	-	-	-	AP9100423	2	AM02*
11	Screw w/ flange M6x16*	-	-	-	-	AP8152278	4	-
12	Relay 12V/30A	-	-	-	-	AP8224462	2	CD189
13	Rubber spacer *	-	-	-	-	AP8220283	2	-
14	Horn	-	-	-	RX-SX	AP8127391	1	CB069
15	Hex socket screw M8x12*	-	-	-	RX-SX	AP8152112	1	-
16	Curved spring washer *	-	-	-	RX-SX	AP8150376	1	-
17	Washer 8,4x16x1,6*	-	-	-	RX-SX	AP8150017	1	-
18	Flasher unit 12V 10+10W	-	-	-	RX-SX	AP8124235	1	CD019
19	Main wiring harness	6	A	AA-UK	RX-SX	851152	1	CA009
	Main wiring harness	7	-	-	RX-SX	AP9100568	1	CA009
	Main wiring harness	6	-	CF-EU-JP	RX-SX	AP9100568	1	CA009
	Main wiring harness	6	B	AA-UK	RX-SX	AP9100568	1	CA009
20	Speed sensor	-	-	-	SX	AP9100518	1	CA209
	Speed sensor	-	-	-	RX	AP9100965	1	CA209
21	Self-tapping screw M4x12	-	-	-	RX-SX	AP8150460	2	-

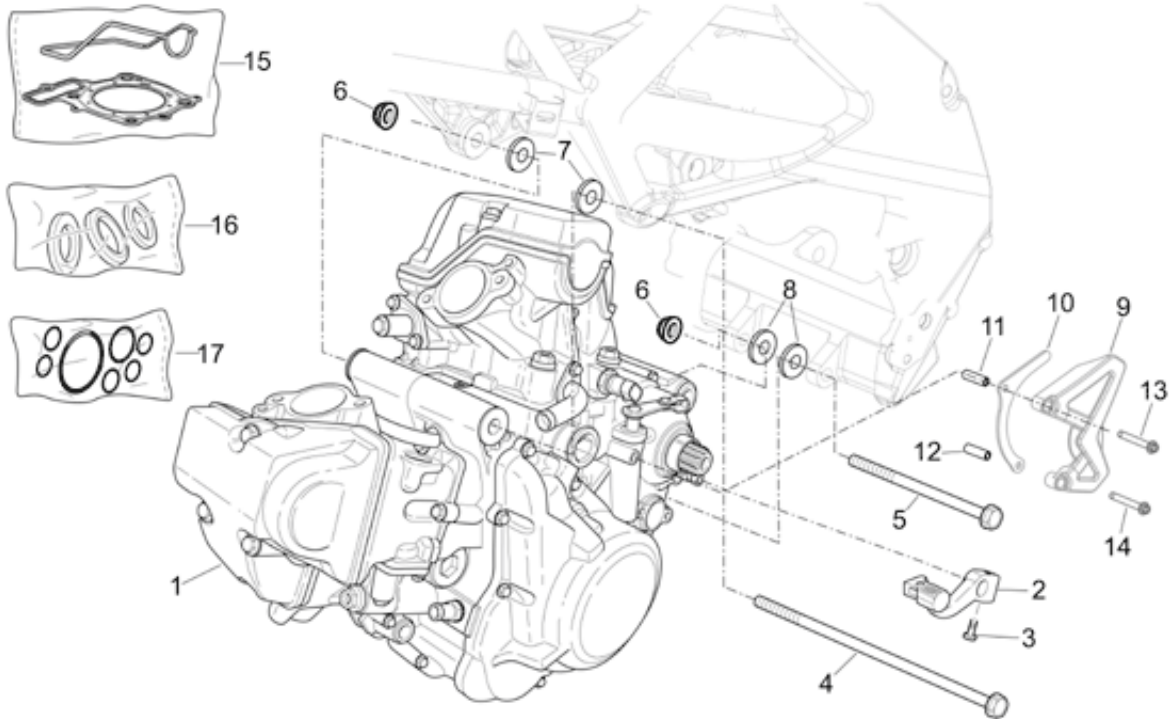


Pos.	Description	Year	I_M_	Country	Version	Code	Q.ty	P.Cod.
1	Battery 6AH	-	-	-	45-M12-SX	-	AP9100512	1 CC009
	Battery 6AH	-	-	-	55-M16-SX	-	AP9100512	1 CC009
	Battery 6AH	-	-	-	45-M10-RX	-	AP9100512	1 CC009
	Battery 8.6AH	-	-	-	45-M11-SX	-	AP9100993	1 CC009
	Battery 8.6AH	-	-	-	55-M15-SX	-	AP9100993	1 CC009
	Battery 8.6AH	-	-	-	45-M9-RX	-	AP9100993	1 CC009
	Battery 8.6AH	-	-	-	55-M13-RX	-	AP9100993	1 CC009
	Battery 6AH	-	-	-	55-M14-RX	-	AP9100512	1 CC009
2	Battery case cpl.	-	-	-	45-55-RX	-	AP9101000	1 DD249
	Battery case cpl.	-	-	-	45-55-SX	-	AP9100079	1 DD249
3	Rubber spacer	-	-	-	-	-	AP8120001	4 -
4	Front fairing gasket	-	-	-	-	-	AP8144538	2 -
5	Rubber spacer	-	-	-	-	-	AP9100725	1 -
6	Relay battery wiring	-	-	-	-	-	AP9100371	1 CA039
7	Rubber pipe	-	-	-	-	-	AP9100393	1 -
8	Ground-battery lead	-	-	-	-	-	AP9100372	1 CA039
9	Starter relay	-	-	-	-	-	AP9100487	1 CD029
10	Plate	-	-	-	-	-	AP9100325	1 -
11	Fuse 30a	-	-	-	-	-	AP8124273	2 CA349
12	Starter motor wiring harness	-	-	-	-	-	AP9100558	1 CA079
13	Screw w/ flange M5x12*	-	-	-	-	-	AP8152272	2 -
14	Fuse block support	-	-	-	-	-	AP9100327	1 CA069
15	Fuse 5a	-	-	-	-	-	0000000	3 CA349
16	Fuse 7,5a	-	-	-	-	-	0000000	4 CA349
17	Fuse 15a	-	-	-	-	-	0000000	3 CA349

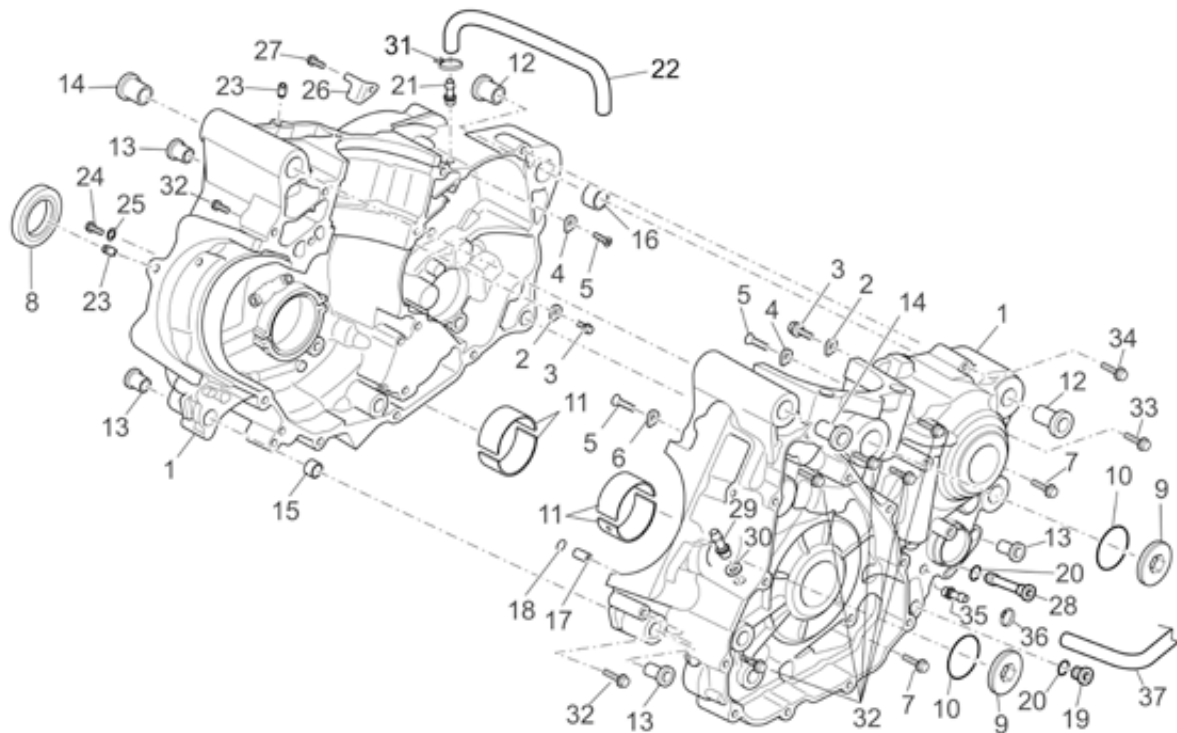
18	Plate	-	-	-	-	-	AP9100742	1	-
19	Tearing rivet inox	-	-	-	-	-	AP9100782	1	-
20	Capacitor 10000 Uf	-	-	-	-	-	AP9100739	1	-
21	Engine-frame ground wiring	-	-	-	-	-	AP9100783	1	CA039
22	Taillight wiring harn.	-	-	-	RX-SX	-	AP9100511	1	CA029
23	Spring	-	-	-	-	-	AP9100765	1	-
24	Screw w/ flange M6x12*	-	-	-	-	-	AP8152277	2	-
25	Hex socket screw M6x8*	-	-	-	-	-	AP8152123	2	-
26	Spring washer 6,4x11x0,5*	-	-	-	-	-	AP8150429	2	-
27	Curved spring washer *	-	-	-	-	-	AP8150272	1	-
28	Adhesive sponge 15x8	-	-	-	-	-	AP8117004	1	-
29	Main wiring harness	6	A	AA-UK	RX-SX	-	851152	1	CA009
	Main wiring harness	6	-	CF-EU-JP	RX-SX	-	AP9100568	1	CA009
	Main wiring harness	6	B	AA-UK	RX-SX	-	AP9100568	1	CA009
	Main wiring harness	7	-	-	RX-SX	-	AP9100568	1	CA009
30	Terminal cap	-	-	-	-	-	AP9100959	1	-
31	Gasket	-	-	-	-	-	AP9100997	1	-



Pos.	Description	Year	I_M_	Country	Version	Code	Q.ty	P.Cod.
1	Main switch - steering lock	-	-	-	RX-SX	AP9100515	1	DH029
2	"Aprilia" key w/out transpo.	-	-	-	RX-SX	AP8140710	1	DH099
3	Shear rivet M8x16*	-	-	-	RX-SX	AP8150349	1	-
4	Hex socket screw M8x16*	-	-	-	RX-SX	AP8150211	1	-
5	Toolkit	-	-	-	SX	AP9100994	1	DG099
	Toolkit	-	-	-	RX	AP9100936	1	DG099
6	RH footrest support	-	-	-	SX	AP9100757	1	BA16A
7	LH footrest support	-	-	-	SX	AP9100756	1	BA16B
8	RH support	-	-	-	SX	851364	1	-
9	LH support	-	-	-	SX	851363	1	-
10	Screw w/ flange M10x1,25x36	-	-	-	SX	AP9100837	2	-
11	Screw w/ flange M8x25*	-	-	-	SX	AP8152287	2	-

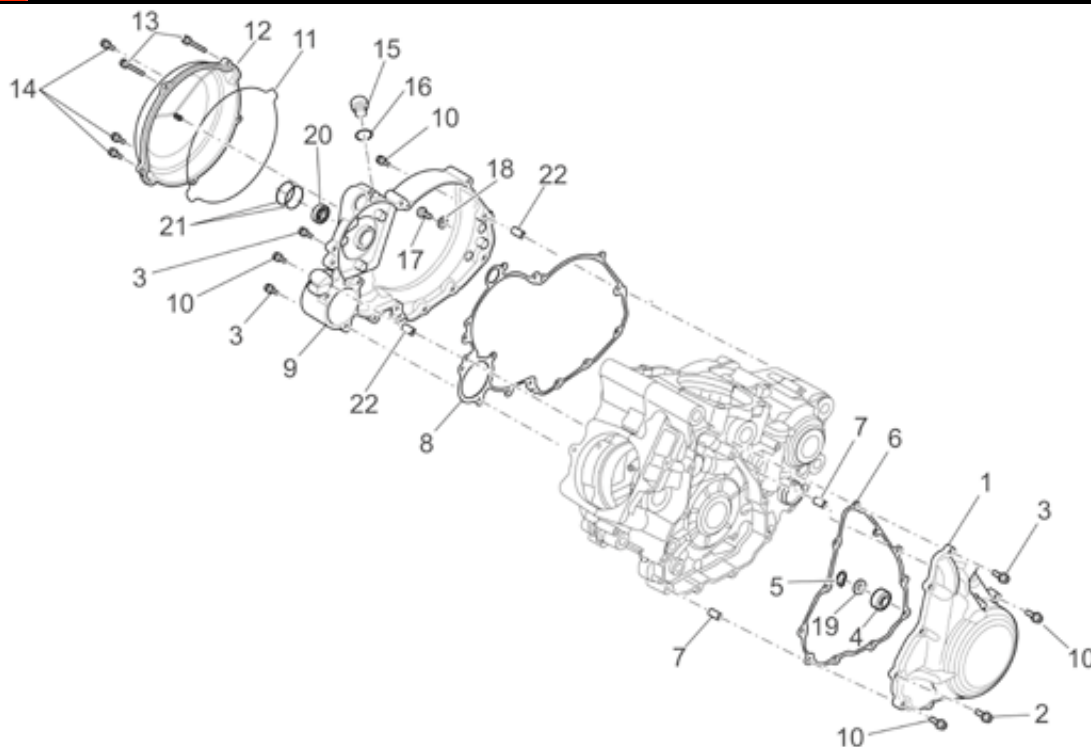


Pos.	Description	Year	I_M_	Country	Version	Code	Q.ty	P.Cod.
1	Engine	-	-	-	RX45	AP91990025	1	A9999
	Engine	-	-	-	SX55	AP91990035	1	A9999
	Engine	-	-	-	RX55	AP91990045	1	A9999
	Engine	-	-	-	SX45	AP91990015	1	A9999
2	Gear lever	-	-	-	-	AP9100411	1	BA109
3	Screw w/ flange M6x25*	-	-	-	-	AP8152280	1	-
4	Screw M10x1,25 L=202	-	-	-	-	AP9100593	1	BA329
5	Screw M10x1,25 L=102	-	-	-	-	AP9100443	1	BA329
6	Self-locking nut M10x1,25	-	-	-	-	AP9100643	2	-
7	Washer 28x10,5x3	-	-	-	-	AP9100687	2	-
8	Washer 18x10,5x2	-	-	-	-	AP9100686	2	-
	Washer 18x10,5x0,5	-	-	-	-	AP9100683	2	-
	Washer 18x10,5x0,5	-	-	-	-	AP9100684	2	-
	Washer 18x10,5x1,5	-	-	-	-	AP9100685	2	-
9	Sprocket cover	-	-	-	-	AP9100374	1	AH159
10	Chain guide	-	-	-	-	AP9100367	1	-
11	Bush	-	-	-	SX	AP9100383	1	-
12	Bush	-	-	-	SX	AP9100381	1	-
	Bush	-	-	-	RX	AP9100550	1	-
13	Screw w/ flange M6x30*	-	-	-	RX	AP8152281	1	-
	Screw w/ flange M6x50	-	-	-	SX	AP9100433	1	-
14	Screw w/ flange M6x40*	-	-	-	RX	AP8152283	1	-
	Screw w/ flange M6x60	-	-	-	SX	AP9150395	1	-
15	Gasket set	-	-	-	RX45- SX45	AP9150490	1	-
	Gasket set	-	-	-	RX55- SX55	AP9150491	1	-
16	Oil seals - set	-	-	-	-	AP9150492	1	-
17	OR set	-	-	-	-	AP9150493	1	-



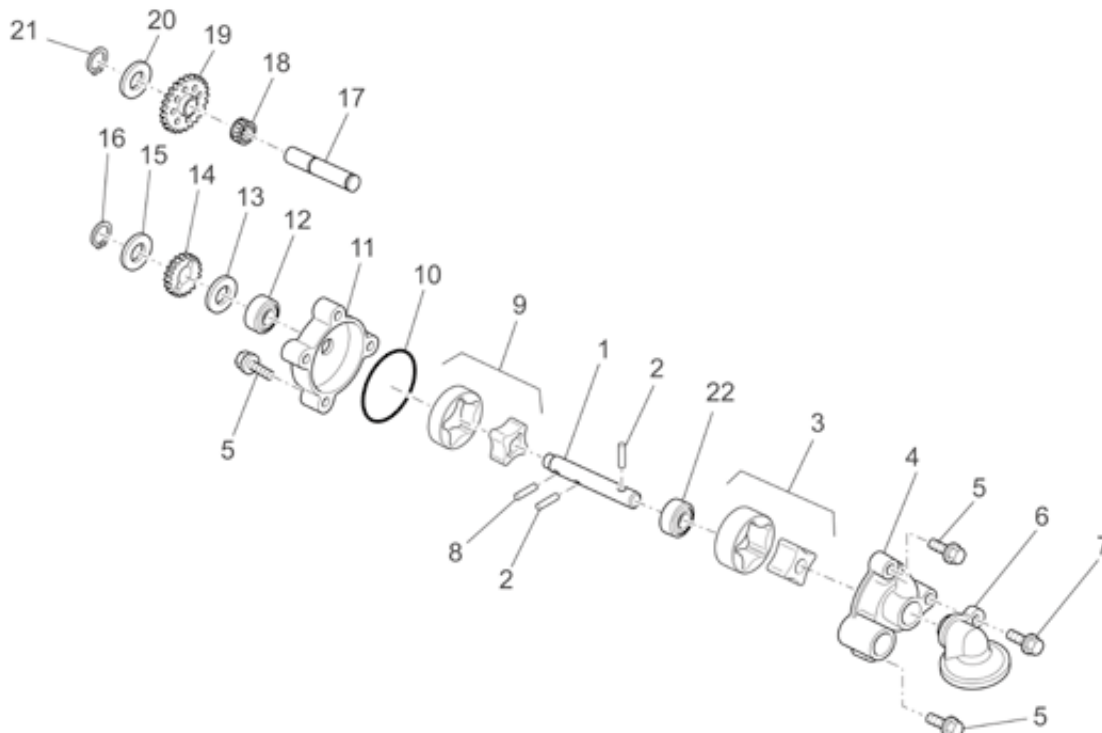
Pos.	Description	Year	I_M_	Country	Version	Code	Q.ty	P.Cod.
1	Carter, pair	-	-	-	SX45	-	AP9150080	1 AH009
	Carter, pair	-	-	-	SX55	-	AP9150089	1 AH009
	Carter, pair	-	-	-	RX55	-	AP9150239	1 AH009
	Carter, pair	-	-	-	RX45	-	AP9150079	1 AH009
2	Check bearing plate	-	-	-	-	-	AP9150146	3 -
3	Screw w/ flange M6x12*	-	-	-	-	-	AP8152277	3 -
4	Check bearing plate	-	-	-	-	-	AP9150145	2 -
5	Screw M6x12	-	-	-	-	-	AP9150394	3 -
6	Check bearing plate	-	-	-	-	-	AP9150489	1 -
7	Screw w/ flange M6x40*	-	-	-	-	-	AP8152283	6 -
8	Oil seal D32x45x6	-	-	-	-	-	AP9150435	1 AO15A
9	Plug	-	-	-	-	-	AP9150149	2 -
10	O-ring D26,65x2,62	-	-	-	-	-	AP9150353	2 -
11	Bearing half-shell, green	-	-	-	-	-	AP9150324	4 AI109
	Bushing half-shell, blue	-	-	-	-	-	AP9150456	4 AI109
	Bushing half-shell, yellow	-	-	-	-	-	AP9150457	4 AI109
12	T bush 34x21x10,5-L18	-	-	-	-	-	AP9150440	2 -
13	T bush 28x13x10,5-L11,5	-	-	-	-	-	AP9150441	2 -
14	T bush 19x13x10,5-L11,5	-	-	-	-	-	AP9150442	4 -
15	Bush D16x19X13	-	-	-	-	-	AP9150116	1 -
16	Bush D18x21X19	-	-	-	-	-	AP9150115	1 -
17	Pin D7,2x9x12	-	-	-	-	-	AP9150117	1 -
18	O-ring D8,73x1,78	-	-	-	-	-	AP9150350	1 -
19	Oil unload plug	-	-	-	-	-	AP9150174	1 AH109
20	Seal washer D12x18x1,5	-	-	-	-	-	AP9150349	2 -
21	Union	-	-	-	-	-	AP9150533	1 -
22	Breather pipe	-	-	-	-	-	AP9150471	1 -
23	Jet	-	-	-	-	-	AP9150346	2 -

24	Screw w/ flange M8x16*	-	-	-	-	-	AP8152285	1	-
25	Washer D8x16x1,5	-	-	-	-	-	AP8121862	1	-
26	Plate	-	-	-	-	-	AP9150439	1	-
27	Screw w/ flange M6x12*	-	-	-	-	-	AP8152277	1	-
28	Oil unload plug	-	-	-	-	-	AP9150078	1	AH109
29	Union	-	-	-	-	-	AP9150109	1	-
30	Seal washer D12x18x1,5	-	-	-	-	-	AP9150349	1	-
31	Hose clamp D9,1*	-	-	-	-	-	AP8102377	1	-
32	Screw w/ flange M7X1X42	-	-	-	-	-	AP9150526	7	-
33	Screw w/ flange M6x65	-	-	-	-	-	AP8560104	1	-
34	Screw w/ flange M6x75	-	-	-	-	-	AP8560106	1	-
35	Union	-	-	-	-	-	AP9150344	1	-
36	Hose clip	-	-	-	-	-	AP9100998	1	-
37	Breather pipe 5x9	-	-	-	-	-	AP9150545	1	-

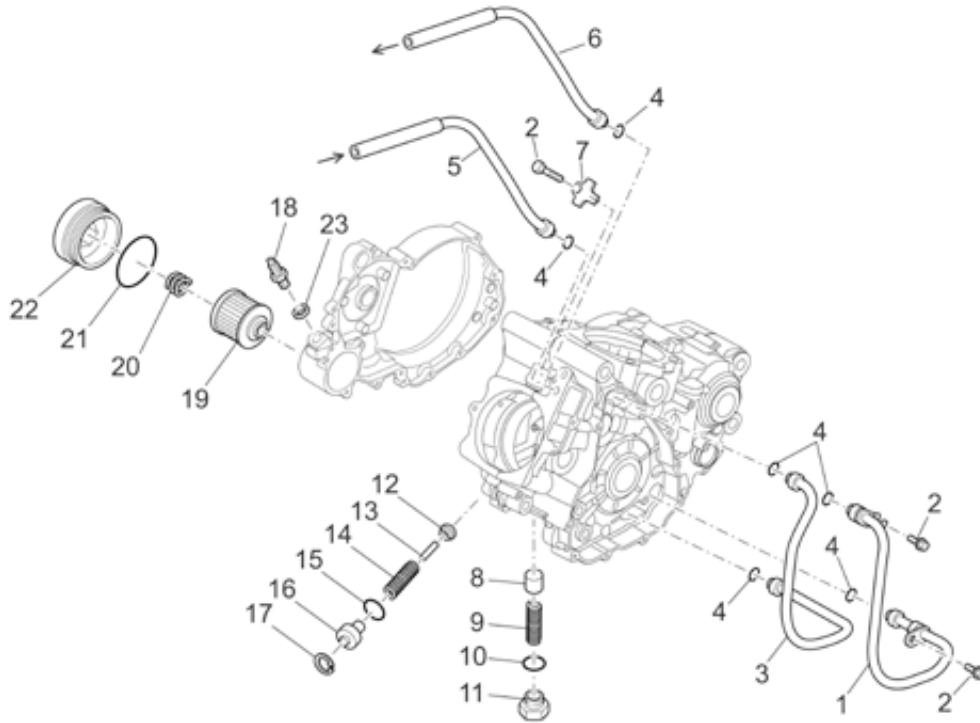


Pos.	Description	Year	I_M_	Country	Version	Code	Q.ty	P.Cod.
1	Ignition cover	-	-	-	-	AP9150152	1	AH039
2	Screw w/ flange M6x20*	-	-	-	-	AP8152279	9	-
3	Screw w/ flange M6x25*	-	-	-	-	AP8152280	10	-
4	Oil seal D12x22x5,5	-	-	-	-	851315	1	-
5	Circlip D25	-	-	-	-	AP9150524	1	AG089
6	Gasket	-	-	-	-	AP9150153	1	AO119
7	Bush D6,2x8X15	-	-	-	-	AP9150118	2	-
8	Gasket	-	-	-	-	AP9150148	1	AO109
9	Clutch side cover	-	-	-	M4-SX45	851019	1	AH129
	Clutch side cover	-	-	-	M6-RX55	851019	1	AH129
	Clutch side cover	-	-	-	M8-SX55	851019	1	AH129
	Clutch side cover	-	-	-	M1-RX45	AP9150147	1	AH129
	Clutch side cover	-	-	-	M3-SX45	AP9150147	1	AH129
	Clutch side cover	-	-	-	M5-RX55	AP9150147	1	AH129
	Clutch side cover	-	-	-	M7-SX55	AP9150147	1	AH129
	Clutch side cover	-	-	-	M2-RX45	851019	1	AH129
10	Screw w/ flange M6x35*	-	-	-	-	AP8152282	4	-
11	O-ring D171,13x2,62	-	-	-	-	AP9150150	1	AO109
12	Complete clutch cover	-	-	-	-	AP9150094	1	AH049
13	Screw w/ flange M6x60	-	-	-	-	AP9150395	2	-
14	Screw w/ flange M6x16*	-	-	-	-	AP8152278	3	-
15	Oil plug M20x1,5	-	-	-	-	AP9150410	1	AH109
16	O-ring D18,72x2,62	-	-	-	-	AP9150356	1	AO109
17	Hex socket screw M6x10	-	-	-	-	AP9150473	1	-
18	Seal washer D6x12x1	-	-	-	-	AP9150351	1	-
19	Oil seal cup	-	-	-	-	AP9150522	1	-
20	Ball bearing 10x19x5	-	-	-	M6-RX55	851015	1	AO269
	Ball bearing 10x19x5	-	-	-	M2-RX45	851015	1	AO269

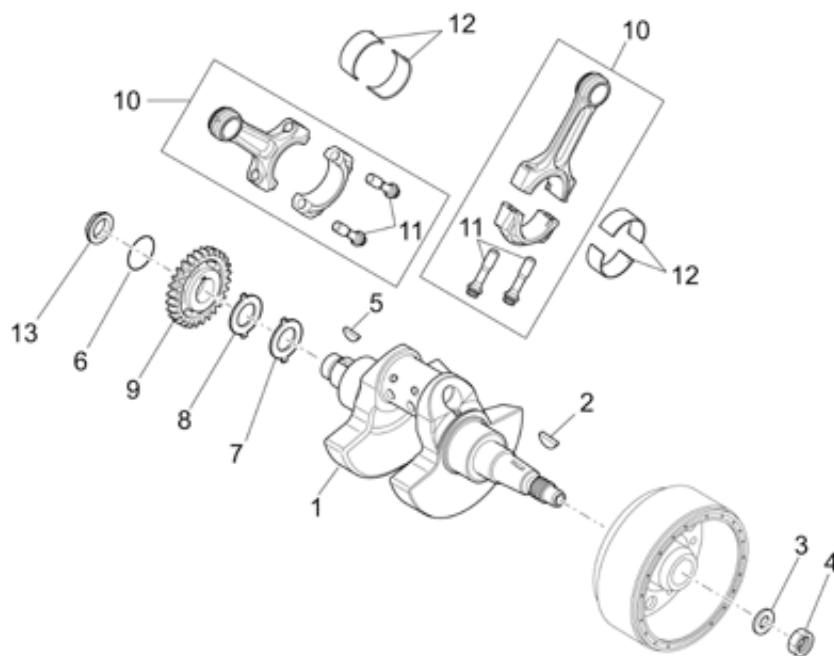
	Ball bearing 10x19x5	-	-	-	M4-SX45	-	851015	1	AO269
	Ball bearing 10x19x5	-	-	-	M8-SX55	-	851015	1	AO269
21	O-ring 20x1	-	-	-	M6-RX55	-	851012	2	-
	O-ring 20x1	-	-	-	M4-SX45	-	851012	2	-
	O-ring 20x1	-	-	-	M2-RX45	-	851012	2	-
	O-ring 20x1	-	-	-	M8-SX55	-	851012	2	-
22	Bush D6,2x8X15	-	-	-	M1-RX45	-	AP9150118	2	-
	Bush D6,2x7,8X15	-	-	-	M6-RX55	-	851017	2	-
	Bush D6,2x7,8X15	-	-	-	M4-SX45	-	851017	2	-
	Bush D6,2x7,8X15	-	-	-	M8-SX55	-	851017	2	-
	Bush D6,2x7,8X15	-	-	-	M2-RX45	-	851017	2	-
	Bush D6,2x8X15	-	-	-	M5-RX55	-	AP9150118	2	-
	Bush D6,2x8X15	-	-	-	M3-SX45	-	AP9150118	2	-
	Bush D6,2x8X15	-	-	-	M7-SX55	-	AP9150118	2	-



Pos.	Description	Year	I_M_	Country	Version	Code	Q.ty	P.Cod.
1	Oil pump shaft assy.	-	-	-	-	AP9150071	1	AJ249
2	Pin 4x15,8	-	-	-	-	AP9150377	2	AJ259
3	Internal and external rotor H19	-	-	-	-	AP9150157	1	AJ159
4	Oil pump housing	-	-	-	-	AP9150158	1	AJ059
5	Screw w/ flange M6x25*	-	-	-	-	AP8152280	6	-
6	Filter with net-air intake	-	-	-	-	AP9150162	1	AO239
7	Screw w/ flange M6x30*	-	-	-	-	AP8152281	1	-
8	Pin 4x13,8	-	-	-	-	AP9150376	1	AJ259
9	Internal and external rotor H8	-	-	-	-	AP9150291	1	AJ159
10	O-ring D44,17x1,78	-	-	-	-	AP9150461	1	AO109
11	Oil pump housing	-	-	-	-	AP9150217	1	AJ059
12	Oil seal D19x10x7/5.5	-	-	-	-	AP9150385	1	AO299
13	Clearance washer 10,1x23	-	-	-	-	AP9150076	1	-
14	Oil pump gear Z=12	-	-	-	-	AP9150159	1	AJ079
15	Clearance washer 9,1x16x	-	-	-	-	AP9150075	1	-
16	Circlip 9x1	-	-	-	-	AP9150396	1	AJ089
17	Pin 4x25,8	-	-	-	-	AP9150160	1	AJ159
18	Roller cage D11x16x10	-	-	-	-	AP9150463	1	AI209
19	Idle gear Z=22	-	-	-	-	AP9150161	1	AJ079
20	Clearance washer 11,1x18	-	-	-	-	AP9150074	1	-
21	Circlip D11	-	-	-	-	AP9150397	1	-
22	Oil seal D10x16x4	-	-	-	-	AP9150443	1	AO229

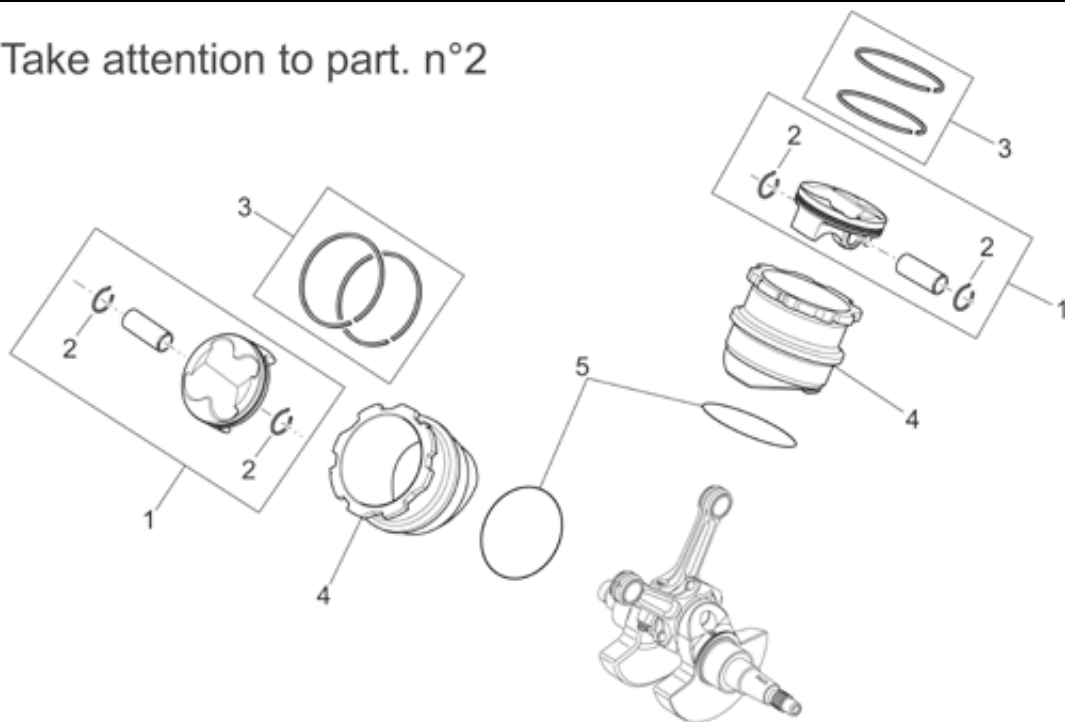


Pos.	Description	Year	I_M_	Country	Version	Code	Q.ty	P.Cod.
1	Oil outlet pipe	-	-	-	-	AP9150281	1	AJ189
2	Screw w/ flange M6x12*	-	-	-	-	AP8152277	3	-
3	Oil inlet pipe	-	-	-	-	AP9150280	1	AJ179
4	O-ring D11x2	-	-	-	-	AP9150347	6	-
5	Oil outlet pipe	-	-	-	-	AP9100358	1	AJ219
6	Oil inlet pipe	-	-	-	-	AP9100362	1	AJ229
7	Plate	-	-	-	-	AP9150292	1	-
8	Pressure adj. piston	-	-	-	-	AP9150168	1	AJ119
9	Spring	-	-	-	-	AP9150169	1	AJ129
10	O-ring D11,11x1,78	-	-	-	-	AP9150476	1	-
11	Valve closer screw M14x1,5	-	-	-	-	AP9150170	1	-
12	Oil anti-return valve	-	-	-	-	AP9150171	1	-
13	Pin	-	-	-	-	AP9150321	1	-
14	Spring	-	-	-	-	AP9150173	1	-
15	O-ring D14x1,78	-	-	-	-	AP9150477	1	-
16	Coupling bush	-	-	-	-	AP9150172	1	-
17	Circlip D18	-	-	-	-	AP9150398	1	-
18	Pressure sensor	-	-	-	-	AP9150414	1	AN039
19	Oil filter	-	-	-	-	AP9150166	1	AO229
20	Spring	-	-	-	-	AP9150167	1	AO229
21	O-ring D53,65x2,68	-	-	-	-	AP9150355	1	AO229
22	Oil filter cover	-	-	-	-	AP9150151	1	AH069
23	Gasket 10,5x	-	-	-	-	AP9150472	1	-

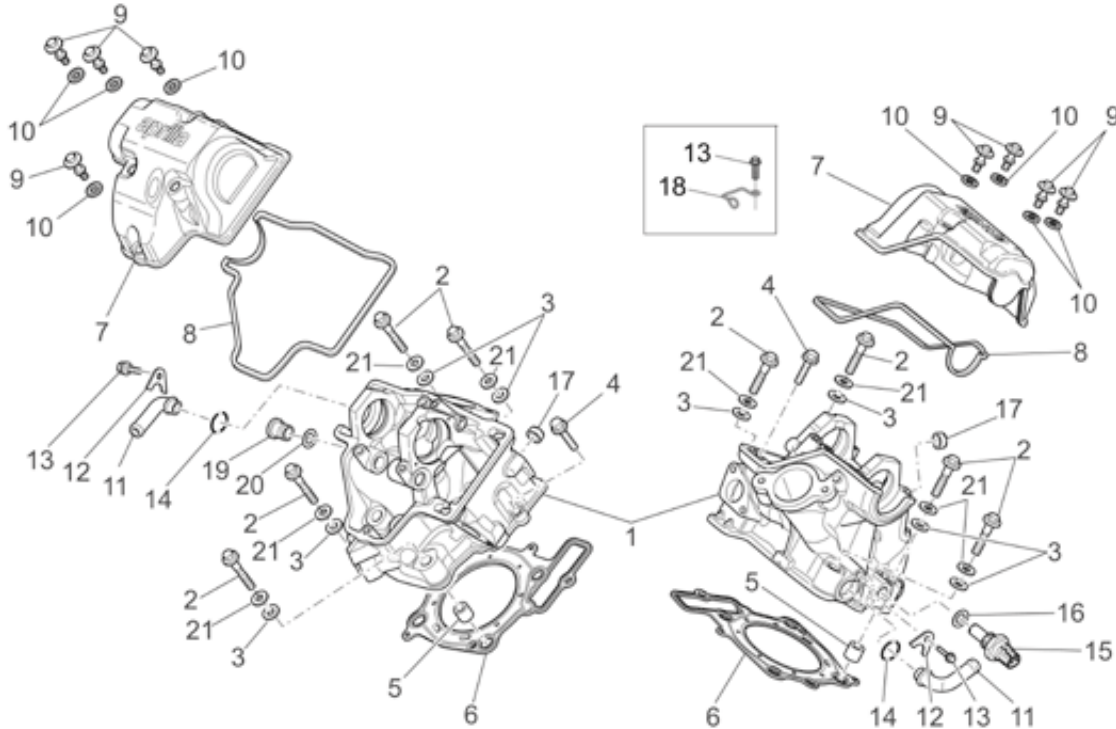


Pos.	Description	Year	I_M_	Country	Version	Code	Q.ty	P.Cod.
1	Crankshaft cpl.	-	-	-	RX55-SX55	-	AP9150527	1 AD009
	Crankshaft cpl.	-	-	-	RX45-SX45	-	AP9150019	1 AD009
2	Flywheel key D3x4,8	-	-	-	-	851007	1 AD089	
3	Washer D15x28x2,5	-	-	-	-	AP9150437	1 -	
4	Nut M14x1	-	-	-	-	AP9150436	1 -	
5	Transmission key 4x6,5	-	-	-	-	AP9150402	1 AD099	
6	O-ring D16x3,5	-	-	-	-	AP9150525	1 -	
7	Fifth wheel 44x53x2	-	-	-	-	AP9150065	1 -	
8	Fifth wheel 36x50x1,4	-	-	-	-	AP9150066	1 -	
9	Pinion Z22	-	-	-	-	AP9150210	1 AC339	
10	Connecting rod cpl.	-	-	-	RX45-SX45	-	AP9150018	2 AD01*
	Connecting rod cpl.	-	-	-	RX55-SX55	-	AP9150315	2 AD01*
11	Connecting rod screw	-	-	-	-	AP9150127	4 -	
12	Bushing, green 35x38x16,5	-	-	-	-	AP9150323	4 AI109	
	Bushing, blue 35x38x16,5	-	-	-	-	AP9150454	2 AI109	
	Bushing, yellow 35x38x16,5	-	-	-	-	AP9150455	2 AI109	
13	Flanged nut M18x1,25	-	-	-	-	AP9150236	1 -	

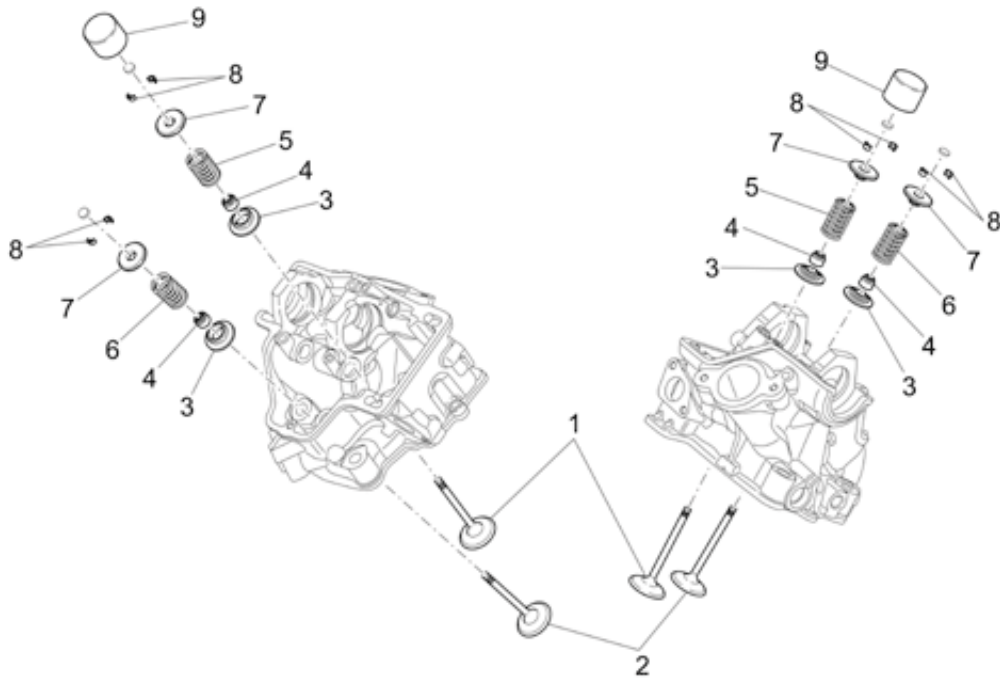
Take attention to part. n°2



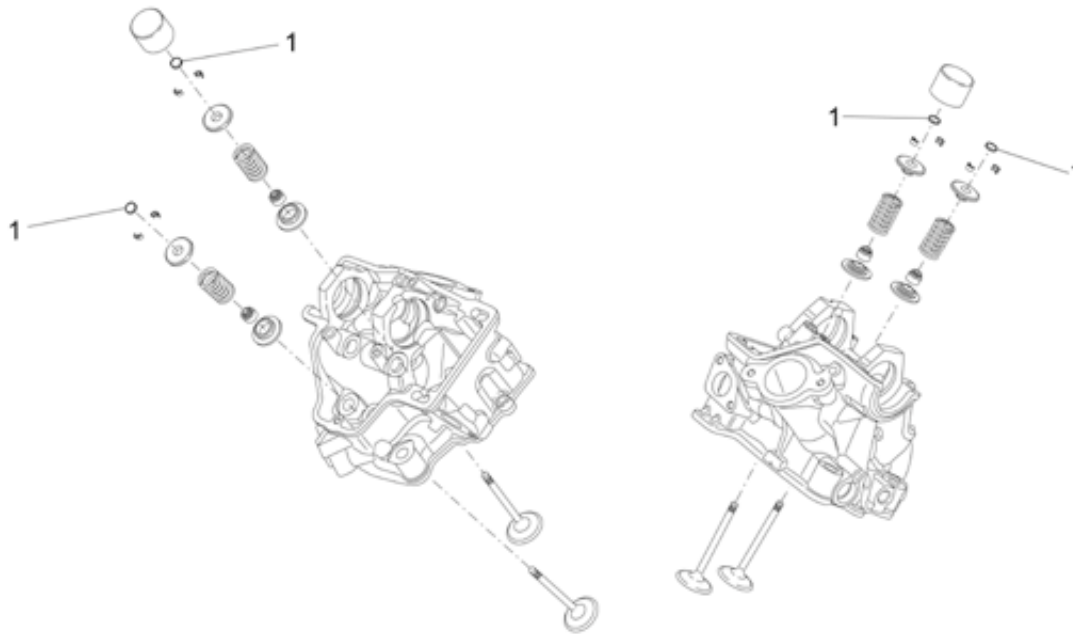
Pos.	Description	Year	I_M_	Country	Version	Code	Q.ty	P.Cod.
1	Piston assy D80	-	-	-	RX55-SX55	-	851046	2 AB01*
	Piston assy D76	-	-	-	RX45-SX45	-	851043	2 AB01*
2	Seeger	-	-	-	RX55-SX55	-	AP9150337	4 AD03*
	Seeger	-	-	-	RX45-SX45	-	AP9150122	4 AD03*
	Stop ring	-	-	-	RX55-SX55	-	851048	4 AD03*
	Stop ring	-	-	-	RX45-SX45	-	851045	4 AD03*
3	Piston rings set D80	-	-	-	RX55-SX55	-	AP9150338	2 AB029
	Piston rings set D76	-	-	-	RX45-SX45	-	AP9150123	2 AB029
4	Cylinder D80	-	-	-	RX55-SX55	-	AP9150301	2 AB07*
	Cylinder D76	-	-	-	RX45-SX45	-	AP9150007	2 AB07*
5	O-ring D82,22x2,62	-	-	-	-	-	AP9150343	2 -



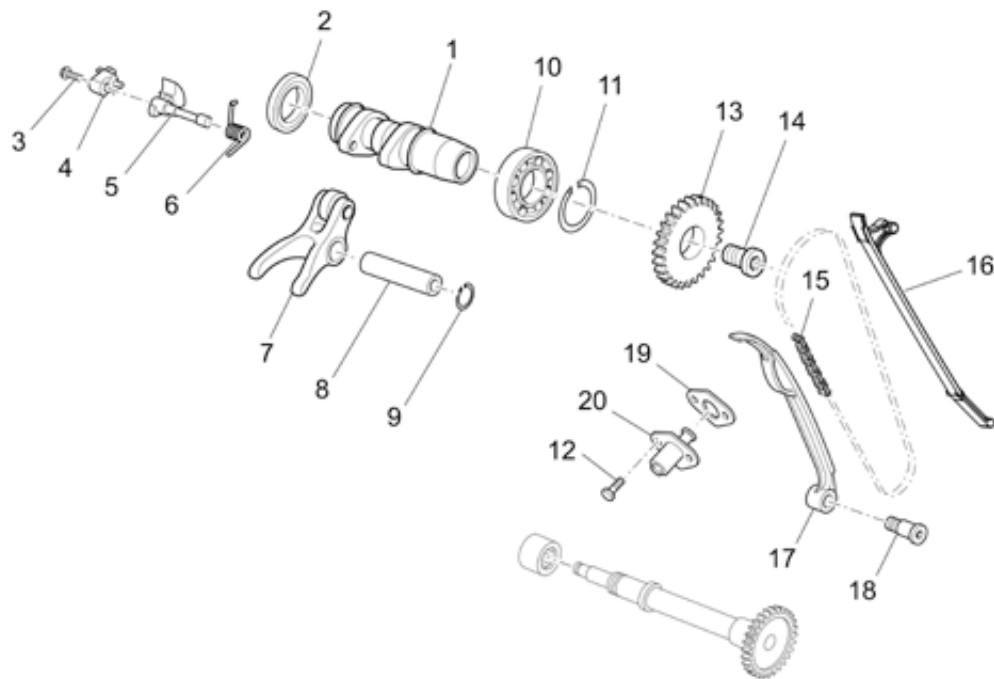
Pos.	Description	Year	I_M_	Country	Version	Code	Q.ty	P.Cod.
1	Cylinder head assy.	-	-	-	-	AP9150317	2	AA00*
2	Screw w/ flange M10x58,5	-	-	-	-	AP9150112	8	-
3	Washer D10x20x2	-	-	-	-	AP9150113	8	-
4	Screw w/ flange M6x25*	-	-	-	-	AP8152280	2	-
5	Bush	-	-	-	-	AP9150114	4	-
6	Cylinder head gasket	-	-	-	RX45-SX45	AP9150008	2	AO00*
	Cylinder head gasket	-	-	-	RX55-SX55	AP9150509	2	AO00*
7	Head cover	-	-	-	-	AP9150009	2	AH079
8	Cover gasket	-	-	-	-	AP9150010	2	AO14*
9	Special screw	-	-	-	-	AP9150111	8	-
10	Gasket	-	-	-	-	AP9150110	8	-
11	Union	-	-	-	-	AP9150120	2	-
12	Plate	-	-	-	-	AP9150121	2	-
13	Screw w/ flange M6x12*	-	-	-	-	AP8152277	3	-
14	O-ring D13,95x2,62	-	-	-	-	AP9150469	2	-
15	Temp. Sensor H2O	-	-	-	-	AP9150181	1	AN009
16	Seal washer D12x18x1,5	-	-	-	-	AP9150349	1	-
17	Plug D20	-	-	-	-	AP9150312	2	-
18	Cable-guide	-	-	-	-	AP8121856	1	-
19	Oil unload plug	-	-	-	-	AP9150174	1	AH109
20	Seal washer D12x18x1,5	-	-	-	-	AP9150349	1	-
21	Spring washer	-	-	-	-	AP9100999	8	-



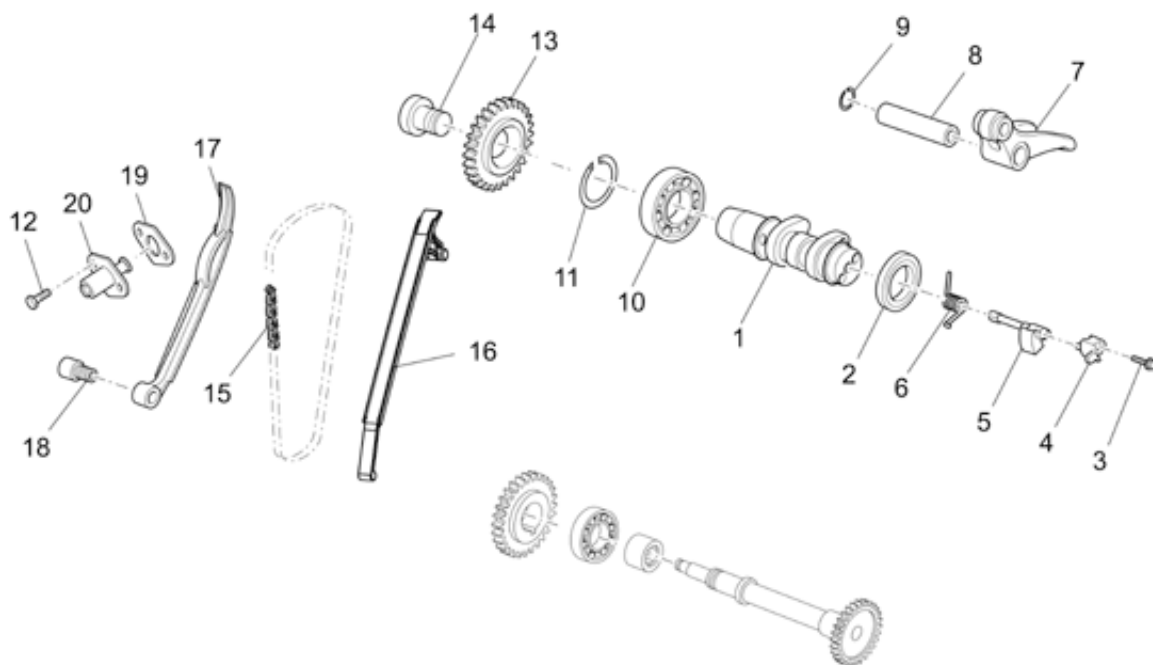
Pos.	Description	Year	I_M_	Country	Version	Code	Q.ty	P.Cod.
1	Intake valve	-	-	-	-	AP9150022	4	AA01N
2	Exhaust valve	-	-	-	-	AP9150023	4	AA01O
3	Lower cup	-	-	-	-	AP9150028	8	AA129
4	Valve stem seal D5	-	-	-	-	AP9150104	8	AO20*
5	Intake valve spring	-	-	-	-	AP9150024	4	AA02*
6	Exhaust valve spring	-	-	-	-	AP9150025	4	AA02*
7	Upper cup	-	-	-	-	AP9150026	8	AA129
8	Valve half-cone	-	-	-	-	AP9150106	16	AA03*
9	Valve lifter bucket	-	-	-	-	AP9150107	4	AA04*



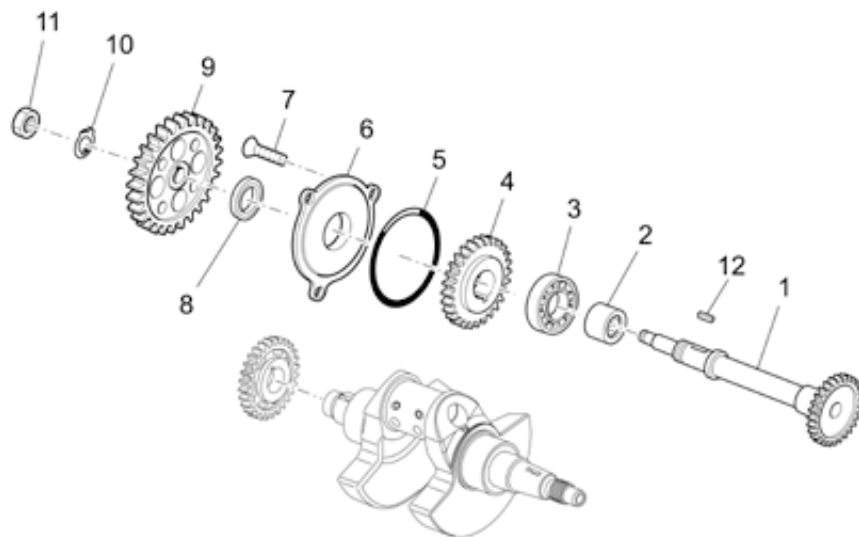
Pos.	Description	Year	I_M_	Country	Version	Code	Q.ty	P.Cod.
1	Pad 1,90	-	-	-	-	AP9150426	1	AA16*
	Pad 1,45	-	-	-	-	AP9150417	1	AA16*
	Pad 1,50	-	-	-	-	AP9150418	1	AA16*
	Pad 1,55	-	-	-	-	AP9150419	1	AA16*
	Pad 1,60	-	-	-	-	AP9150420	1	AA16*
	Pad 1,65	-	-	-	-	AP9150421	1	AA16*
	Pad 1,70	-	-	-	-	AP9150422	1	AA16*
	Pad 1,75	-	-	-	-	AP9150423	1	AA16*
	Pad 1,40	-	-	-	-	AP9150143	8	AA16*
	Pad 1,85	-	-	-	-	AP9150425	1	AA16*
	Pad 2,30	-	-	-	-	AP9150434	1	AA16*
	Pad 1,95	-	-	-	-	AP9150427	1	AA16*
	Pad 2,00	-	-	-	-	AP9150428	1	AA16*
	Pad 2,05	-	-	-	-	AP9150429	1	AA16*
	Pad 2,10	-	-	-	-	AP9150430	1	AA16*
	Pad 2,15	-	-	-	-	AP9150431	1	AA16*
	Pad 2,20	-	-	-	-	AP9150432	1	AA16*
	Pad 2,25	-	-	-	-	AP9150433	1	AA16*
	Pad 1,80	-	-	-	-	AP9150424	1	AA16*



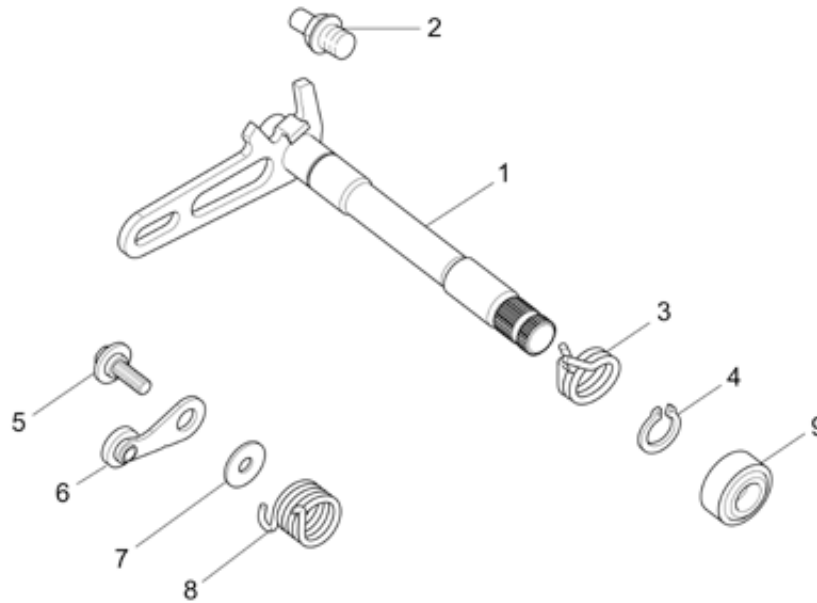
Pos.	Description	Year	I_M_	Country	Version	Code	Q.ty	P.Cod.
1	Camshaft cpl.	-	-	-	RX45- RX55	-	AP9150538	1 AC059
	Camshaft cpl.	-	-	-	SX45- SX55	-	AP9150501	1 AC059
2	Ball bearing D25x37x7	-	-	-	-	-	AP9150364	1 AI309
3	Screw w/ flange M5x20*	-	-	-	-	-	AP8152274	1 -
4	Block	-	-	-	-	-	AP9150303	1 AC259
5	Front valve control	-	-	-	SX	-	AP9150448	1 AC259
	Front valve control	-	-	-	RX	-	AP9150448	1 AC259
6	Spring	-	-	-	-	-	AP9150138	1 AC259
7	Rocker arm exhaust	-	-	-	-	-	AP9150096	1 AC080
8	Rocker shaft	-	-	-	-	-	AP9150101	1 AC069
9	Snap ring	-	-	-	-	-	AP9150102	1 -
10	Ball bearing D25x42x9	-	-	-	-	-	AP9150372	1 AI309
11	Snap ring D42	-	-	-	-	-	AP9150391	2 -
12	Screw w/ flange M6x16*	-	-	-	-	-	AP8152278	2 -
13	Timing gear Z=22	-	-	-	-	-	AP9150506	1 AC139
14	Special screw M16x1	-	-	-	-	-	AP9150507	1 -
15	Camshaft chain	-	-	-	RX45- SX45	-	AP9150133	1 AC149
	Camshaft chain	-	-	-	RX55- SX55	-	AP9150327	1 AC149
16	Chain guide plate L177	-	-	-	RX45- SX45	-	AP9150011	1 AC169
	Chain guide plate L186	-	-	-	RX55- SX55	-	AP9150300	1 AC169
17	Chain tensioner sliding block	-	-	-	RX55- SX55	-	AP9150012	1 AC169
18	Screw M6x12	-	-	-	-	-	AP9150231	1 -
19	Chain tensioner gasket	-	-	-	-	-	AP9150141	1 -
20	Chain tensioner	-	-	-	-	-	AP9150140	1 AC279



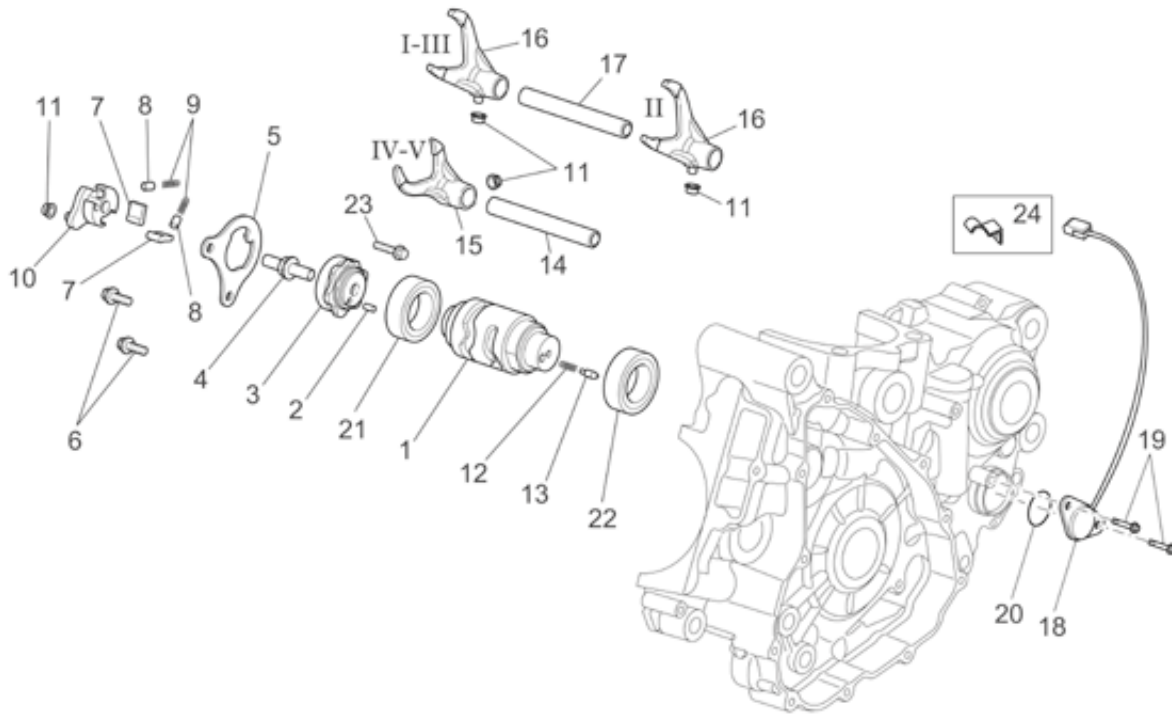
Pos.	Description	Year	I_M_	Country	Version	Code	Q.ty	P.Cod.
1	Camshaft cpl.	-	-	-	RX45- RX55	-	AP9150539	1 AC059
	Camshaft cpl.	-	-	-	SX45- SX55	-	AP9150502	1 AC059
2	Ball bearing D25x37x7	-	-	-	-	-	AP9150364	1 AI309
3	Screw w/ flange M5x20*	-	-	-	-	-	AP8152274	1 -
4	Block	-	-	-	-	-	AP9150303	1 AC259
5	Rear valve control	-	-	-	RX	-	AP9150450	1 AC259
	Rear valve control	-	-	-	SX	-	AP9150450	1 AC259
6	Spring	-	-	-	-	-	AP9150304	1 AC259
7	Rocker arm exhaust	-	-	-	-	-	AP9150096	1 AC080
8	Rocker shaft	-	-	-	-	-	AP9150101	1 AC069
9	Snap ring	-	-	-	-	-	AP9150102	1 -
10	Ball bearing D25x42x9	-	-	-	-	-	AP9150372	1 AI309
11	Snap ring D42	-	-	-	-	-	AP9150391	2 -
12	Screw w/ flange M6x16*	-	-	-	-	-	AP8152278	2 -
13	Timing gear Z=22	-	-	-	-	-	AP9150506	1 AC139
14	Special screw M16x1	-	-	-	-	-	AP9150508	1 -
15	Camshaft chain	-	-	-	RX45- SX45	-	AP9150133	1 AC149
	Camshaft chain	-	-	-	RX55- SX55	-	AP9150327	1 AC149
16	Chain guide plate L177	-	-	-	RX45- SX45	-	AP9150011	1 AC169
	Chain guide plate L186	-	-	-	RX55- SX55	-	AP9150300	1 AC169
17	Chain tensioner sliding block	-	-	-	RX55- SX55	-	AP9150012	1 AC169
18	Screw M6x12	-	-	-	-	-	AP9150142	1 -
19	Chain tensioner gasket	-	-	-	-	-	AP9150141	1 -
20	Chain tensioner	-	-	-	-	-	AP9150140	1 AC279



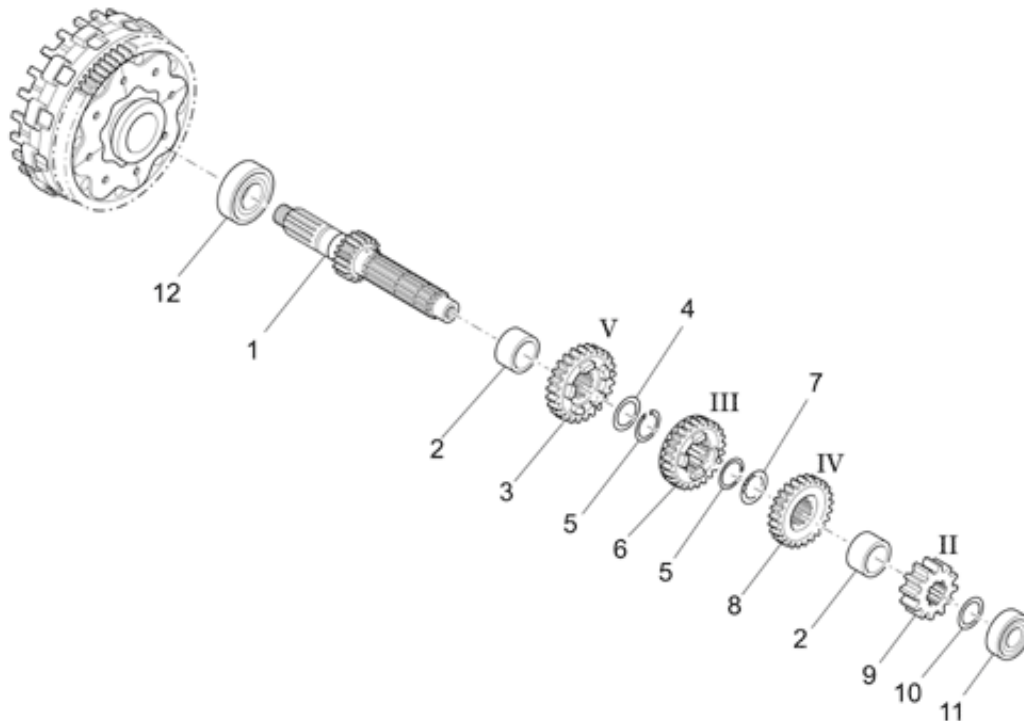
Pos.	Description	Year	I_M_	Country	Version	Code	Q.ty	P.Cod.
1	Transmission shaft Z=20	-	-	-	M8-SX55	-	851009	1 AC409
	Transmission shaft Z=20	-	-	-	M2-RX45	-	851009	1 AC409
	Transmission shaft Z=20	-	-	-	M4-SX45	-	851009	1 AC409
	Transmission shaft Z=20	-	-	-	M7-SX55	-	AP9150272	1 AC409
	Transmission shaft Z=20	-	-	-	M5-RX55	-	AP9150272	1 AC409
	Transmission shaft Z=20	-	-	-	M3-SX45	-	AP9150272	1 AC409
	Transmission shaft Z=20	-	-	-	M1-RX45	-	AP9150272	1 AC409
	Transmission shaft Z=20	-	-	-	M6-RX55	-	851009	1 AC409
2	Bearing D14x22x13	-	-	-	-	-	AP9150366	1 AC409
3	Ball bearing D12x28x8	-	-	-	-	-	AP9150387	1 AC409
4	Timing gear Z=20	-	-	-	-	-	AP9150273	1 AC139
5	O-ring D79x1,78	-	-	-	-	-	AP9150348	1 -
6	Flange	-	-	-	-	-	AP9150483	1 -
7	Hex socket screw M5x10	-	-	-	-	-	AP9150470	3 -
8	Oil seal D28x20x6	-	-	-	-	-	AP9150390	1 -
9	Timing gear Z=40	-	-	-	-	-	AP9150285	1 AC139
10	Safety washer	-	-	-	-	-	AP9150299	1 -
11	Nut M12x1x4,5	-	-	-	M6-RX55	-	851011	1 -
	Nut M12x1x4,5	-	-	-	M2-RX45	-	851011	1 -
	Nut M12x1x4,5	-	-	-	M8-SX55	-	851011	1 -
	Nut M12x1x4,5	-	-	-	M4-SX45	-	851011	1 -
	Nut M12x1x6	-	-	-	M5-RX55	-	AP9150233	1 -
	Nut M12x1x6	-	-	-	M7-SX55	-	AP9150233	1 -
	Nut M12x1x6	-	-	-	M1-RX45	-	AP9150233	1 -
	Nut M12x1x6	-	-	-	M3-SX45	-	AP9150233	1 -
12	Transmission key 4x4x18	-	-	-	-	-	AP9150389	1 AD099



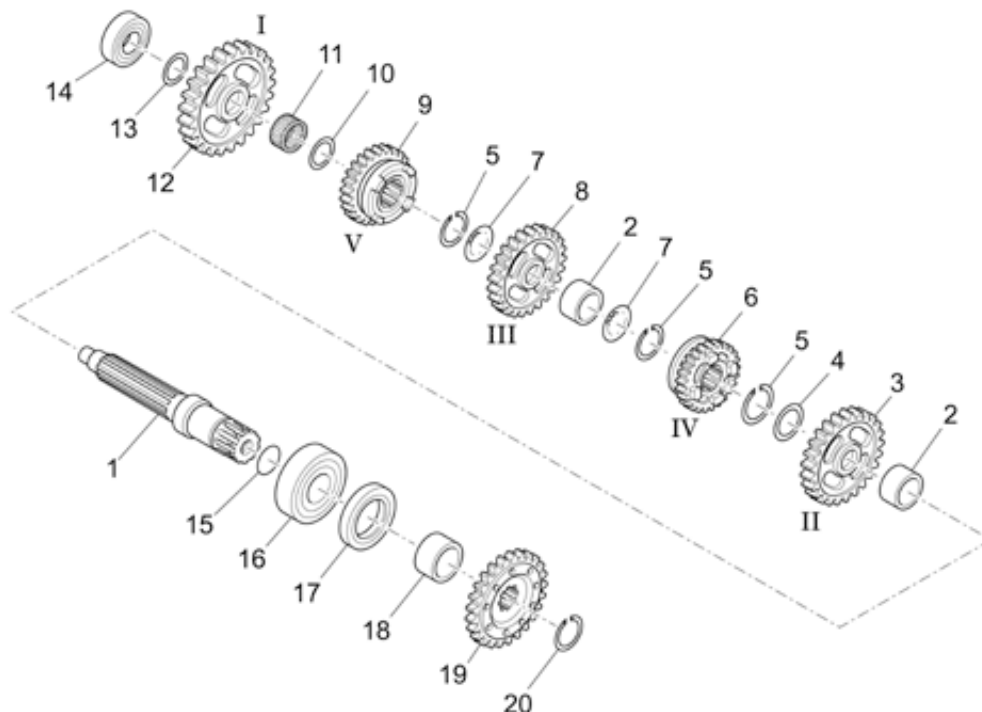
Pos.	Description	Year	I_M_	Country	Version	Code	Q.ty	P.Cod.
1	Gearshift shaft+pawl assy	-	-	-	-	AP9150048	1	AG119
2	Selector lock	-	-	-	-	AP9150063	1	-
3	Spring	-	-	-	-	AP9150238	1	-
4	Circlip D.15	-	-	-	-	AP8125853	1	AG089
5	Screw w/ flange M6x15	-	-	-	-	AP9150006	1	-
6	Index assy. lever	-	-	-	-	AP9150044	1	AG129
7	Washer D6,3x18x1	-	-	-	-	AP9150051	1	-
8	Spring	-	-	-	-	AP9150220	1	-
9	Oil seal D21x15x3	-	-	-	-	AP9150393	1	AO169



Pos.	Description	Year	I_M_	Country	Version	Code	Q.ty	P.Cod.
1	Shift cam cpl.	-	-	-	-	AP9150004	1	AG039
2	Roller D4	-	-	-	-	AP9150375	1	-
3	Selector drum	-	-	-	-	AP9150067	1	AG149
4	Threaded pin M8x1,25	-	-	-	-	AP9150043	1	-
5	Selector lock plate	-	-	-	-	AP9150073	1	AG169
6	Screw w/ flange M6x12*	-	-	-	-	AP8152277	2	-
7	Lever	-	-	-	-	AP9150069	2	AG159
8	Spring pillar	-	-	-	-	AP9150070	2	AG159
9	Spring	-	-	-	-	AP9150064	2	AG159
10	Shift cam plate	-	-	-	-	AP9150068	1	AG159
11	Bush D6x8x5	-	-	-	-	AP9150060	4	-
12	Spring	-	-	-	-	AP9150072	1	-
13	Spring pillar	-	-	-	-	AP9150003	1	-
14	Fork shaft L72,5	-	-	-	-	AP9150062	1	AG069
15	Fork 4a-5a	-	-	-	-	AP9150093	1	AG059
16	Fork 1a-3a	-	-	-	-	AP9150091	2	AG059
17	Fork shaft L93	-	-	-	-	AP9150061	1	AG069
18	Neutral indicator switch	-	-	-	-	AP9150184	1	AN029
19	Screw w/ flange M5x12*	-	-	-	-	AP8152272	2	-
20	O-ring D23,52x1,78	-	-	-	-	AP9150479	1	-
21	Ball bearing D25x42x9	-	-	-	-	AP9150365	1	AI069
22	Ball bearing D25x37x7	-	-	-	-	AP9150360	1	AI069
23	Screw w/ flange M5x12*	-	-	-	-	AP8152272	1	-
24	Fairlead	-	-	-	-	AP9150462	1	-

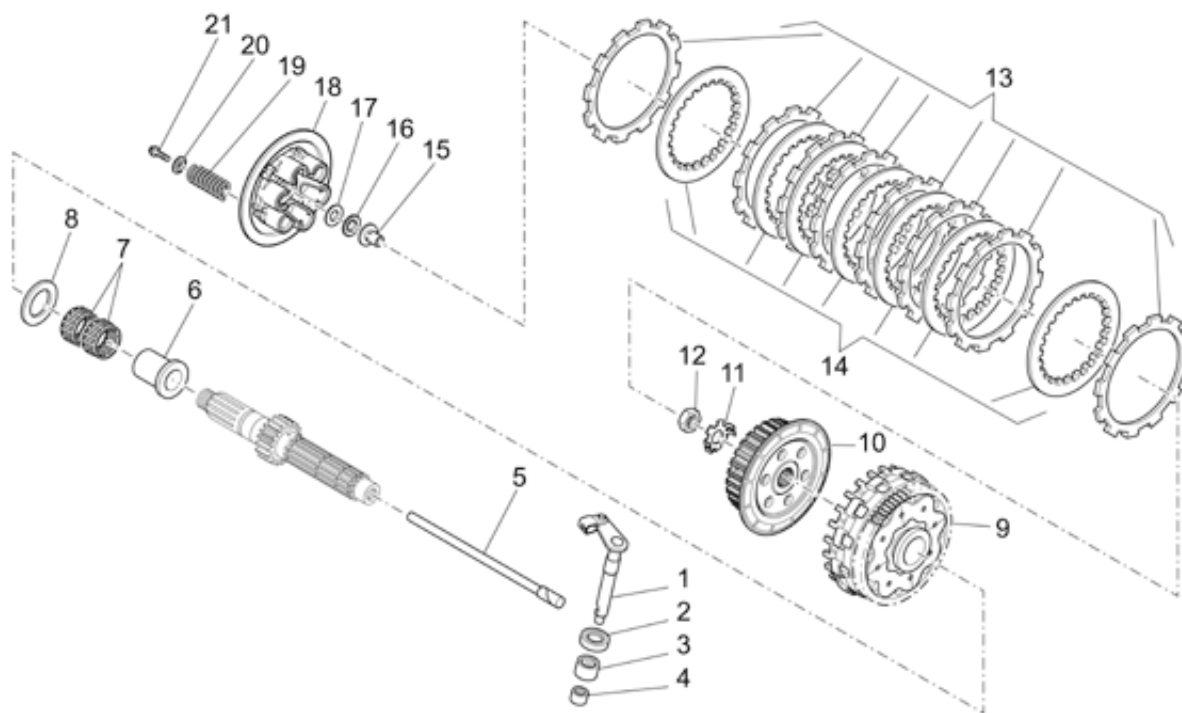


Pos.	Description	Year	I_M_	Country	Version	Code	Q.ty	P.Cod.
1	Primary gear shaft Z=13	-	-	-	SX45-SX55	-	AP9150270	1 AG00X
	Primary gear shaft Z=12	-	-	-	RX45-RX55	-	AP9150256	1 AG00X
2	Bush D25x28x9,9	-	-	-	-	-	AP9150216	2 -
3	Gear 5a su prim.Z=21	-	-	-	RX45-RX55	-	AP9150255	1 AG045
	Gear 5a su prim.Z=21	-	-	-	SX45-SX55	-	AP9150269	1 AG045
4	Plain washer D25,1x30,8x0,5	-	-	-	-	-	AP9150297	1 -
5	Outside circlip D25	-	-	-	-	-	AP9150302	2 AG089
6	Gear 3a su prim.Z=16	-	-	-	SX45-SX55	-	AP9150268	1 AG043
	Gear 3a su prim.Z=15	-	-	-	RX45-RX55	-	AP9150254	1 AG043
7	Special washer D25,1x30,8x0,	-	-	-	-	-	AP9150267	1 -
8	Gear 4a su prim.Z=19	-	-	-	RX45-RX55	-	AP9150253	1 AG044
	Gear 4a su prim.Z=20	-	-	-	SX45-SX55	-	AP9150266	1 AG044
9	Gear 2a su prim.Z=13	-	-	-	RX45-RX55	-	AP9150252	1 AG042
	Gear 2a su prim.Z=15	-	-	-	SX45-SX55	-	AP9150265	1 AG042
10	Washer D17,1x27,8x0,8	-	-	-	-	-	AP9150294	1 -
11	Ball bearing D17x40x12	-	-	-	-	-	AP9150362	1 AI069
12	Ball bearing D25x37x7	-	-	-	-	-	AP9150360	1 AI069

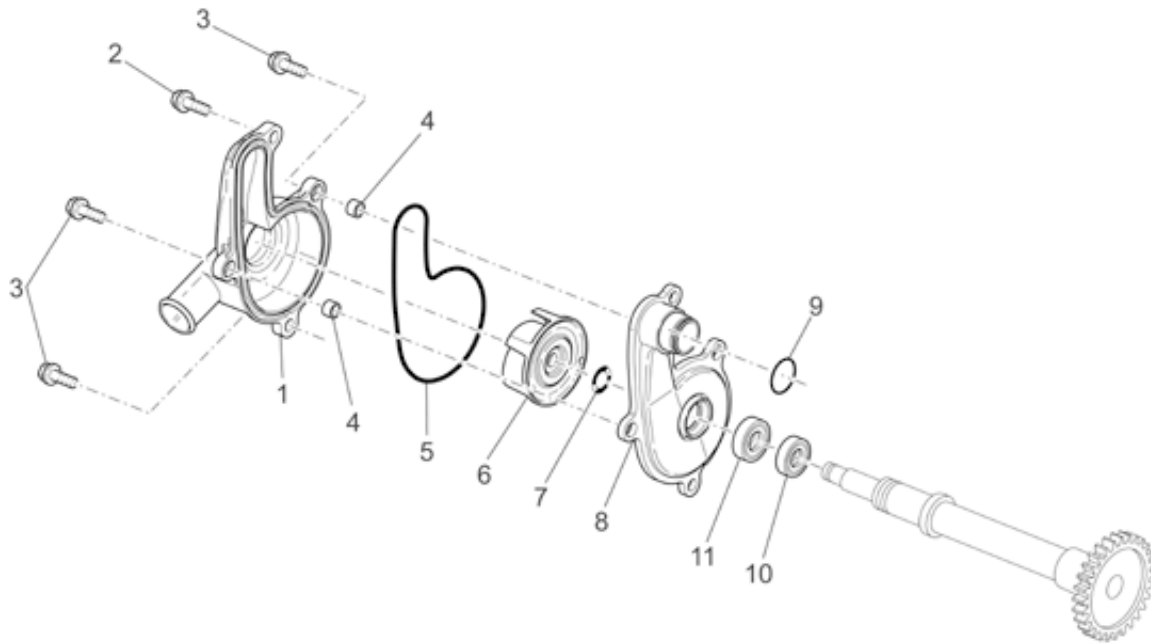


Pos.	Description	Year	I_M_	Country	Version	Code	Q.ty	P.Cod.
1	Driven shaft	-	-	-	RX45- RX55	-	AP9150311	1 AG00Y
	Driven shaft	-	-	-	SX45- SX55	-	AP9150263	1 AG00Y
2	Bush D25x28x9,9	-	-	-	-	-	AP9150216	2 -
3	2nd wheel gear Z=25	-	-	-	RX45- RX55	-	AP9150250	1 AG042
	2nd wheel gear Z=27	-	-	-	SX45- SX55	-	AP9150262	1 AG042
4	Plain washer D25,1x30,8x0,5	-	-	-	-	-	AP9150297	1 -
5	Outside circlip D25	-	-	-	-	-	AP9150302	3 AG089
6	4th wheel gear Z=24	-	-	-	RX45- RX55	-	AP9150249	1 AG044
	4th wheel gear Z=23	-	-	-	SX45- SX55	-	AP9150261	1 AG044
7	Special washer D25,1x30,8x0,	-	-	-	-	-	AP9150267	2 -
8	3rd wheel gear Z=23	-	-	-	RX45- RX55	-	AP9150248	1 AG043
	3rd wheel gear Z=23	-	-	-	SX45- SX55	-	AP9150260	1 AG043
9	5th wheel gear Z=21	-	-	-	SX45- SX55	-	AP9150259	1 AG045
	5th wheel gear Z=22	-	-	-	RX45- RX55	-	AP9150247	1 AG045
10	Washer D20,1x28,8x0,8	-	-	-	-	-	AP9150296	1 -
11	Roller cage D20x24x10	-	-	-	-	-	AP9150370	1 AI209
12	1st wheel gear Z=31	-	-	-	RX45- RX55	-	AP9150246	1 AG041
	1st wheel gear Z=30	-	-	-	SX45- SX55	-	AP9150258	1 AG041
13	Washer D17,1x27,8x0,8	-	-	-	-	-	AP9150294	1 -
14	Ball bearing D17x47x14	-	-	-	-	-	AP9150361	1 AI069
15	O-ring D21,95x1,78	-	-	-	-	-	AP9150357	1 -
16	Ball bearing D25x52x15	-	-	-	-	-	AP9150363	1 AI069

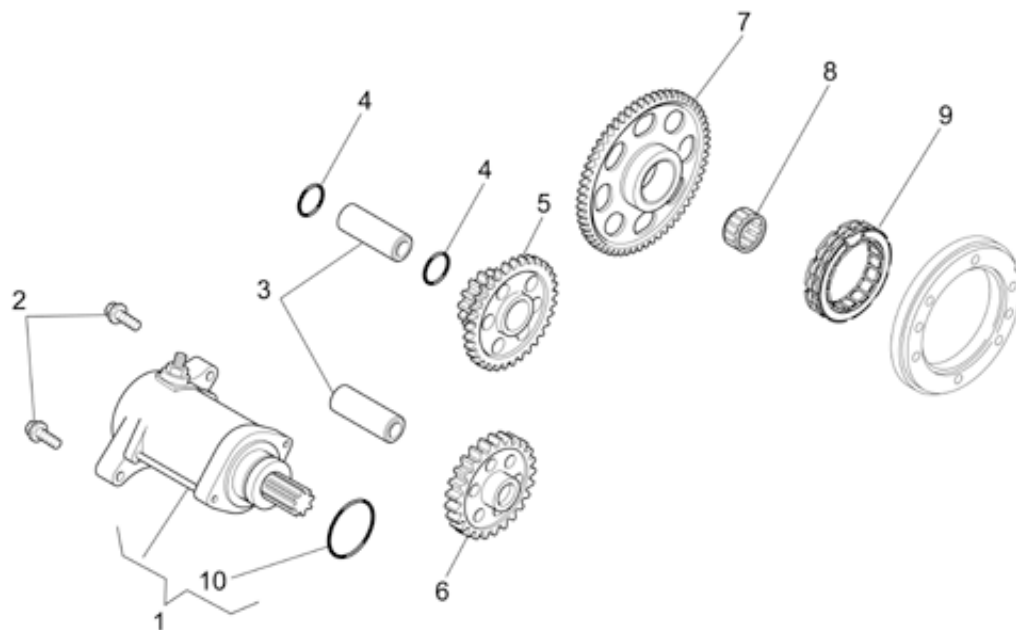
17	Oil seal D40x32x5	-	-	-	-	-	AP9150382	1	-
18	Spacer 25x32x14	-	-	-	RX45- RX55	-	AP9150218	1	-
	Spacer 25x32x22	-	-	-	SX45- SX55	-	AP9150237	1	-
19	Pinion Z=15	-	-	-	RX45- RX55- SX45	-	AP9100525	1	NOGAR
	Pinion Z=16	-	-	-	SX55	-	AP9100600	1	NOGAR
20	Outside circlip D25	-	-	-	-	-	AP9100451	1	AG089



Pos.	Description	Year	I_M_	Country	Version	Code	Q.ty	P.Cod.
1	Clutch release shaft	-	-	-	-	AP9150196	1	AF259
2	Oil seal D12x19x5	-	-	-	-	AP9150384	1	AO199
3	Roller cage D12x16x10	-	-	-	-	AP9150374	1	AI209
4	Roller cage D8x12x10	-	-	-	-	AP9150373	1	AI209
5	Rod	-	-	-	-	AP9150040	1	AF269
6	Spacer 25x32x22	-	-	-	-	AP9150284	1	-
7	Roller cage D28x33x13	-	-	-	-	AP9150367	2	AI209
8	Washer D23x46x3	-	-	-	-	AP9150234	1	-
9	Clutch housing, complete	-	-	-	-	851436	1	AF189
10	Aluminium clutch drum	-	-	-	-	AP9150190	1	AF249
11	Safety washer	-	-	-	-	AP9100386	1	-
12	Nut M18x1,25	-	-	-	-	AP9150235	1	-
13	Lined clutch disc 8 pz.	-	-	-	-	AP8176214	1	AF219
14	Steel clutch disc 7 pz.	-	-	-	-	AP8176215	1	AF209
15	Pawl clutch	-	-	-	-	AP9150195	1	-
16	Roller cage D12x26x2	-	-	-	-	AP9150358	1	AI169
17	Fifth wheel D12x26x1	-	-	-	-	AP9150359	1	-
18	Clutch pressure plate	-	-	-	-	AP9150191	1	AF239
19	Clutch spring	-	-	-	-	AP9150194	6	AF229
20	Cup	-	-	-	-	AP9150232	6	-
21	Screw w/ flange M6x20*	-	-	-	-	AP8152279	6	-

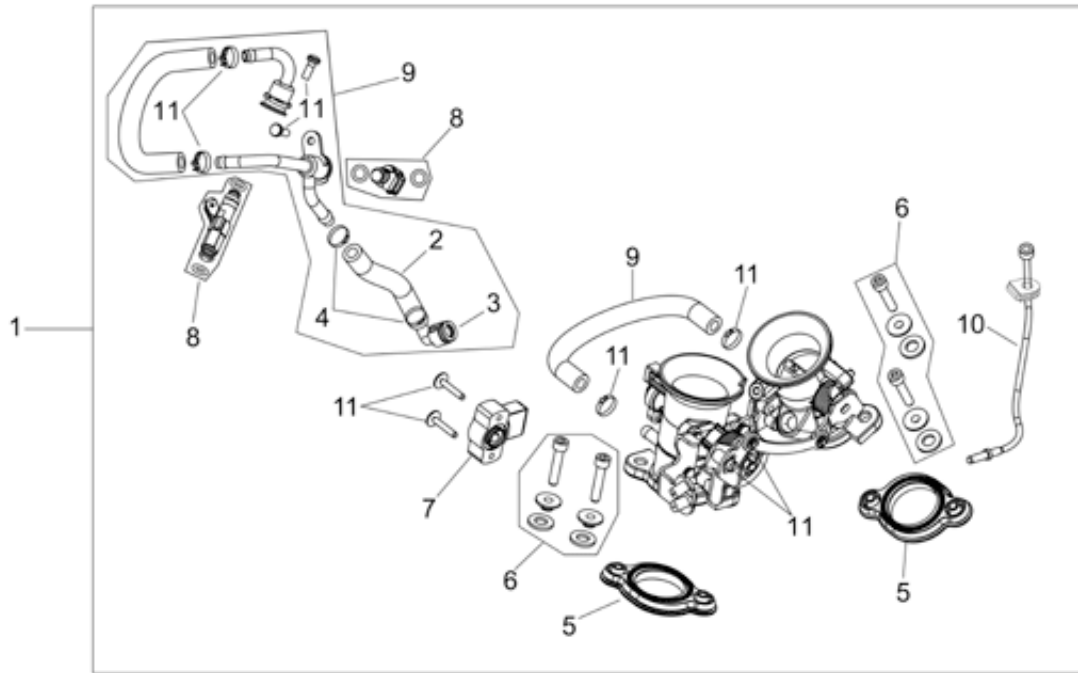


Pos.	Description	Year	I_M_	Country	Version	Code	Q.ty	P.Cod.
1	Water pump cover	-	-	-	-	AP9150484	1	AH229
2	Screw w/ flange M6x40*	-	-	-	-	AP8152283	1	-
3	Screw w/ flange M6x16*	-	-	-	-	AP8152278	3	-
4	Bush D8x6,4x9,8	-	-	-	-	AP9150119	2	-
5	O-ring D88,57x2,62	-	-	-	-	AP9150352	1	-
6	Water pump impeller cpl.	-	-	-	-	AP9150132	1	AJ149
7	Plate	-	-	-	-	AP9150292	1	-
8	Water pump flange	-	-	-	-	AP9150464	1	AH229
9	O-ring D18x1,8	-	-	-	-	851283	1	-
10	Oil seal D10x22x7	-	-	-	M1-RX45	AP9150474	1	AO269
	Oil seal D10x16x4	-	-	-	M6-RX55	AP9150443	1	AO269
	Oil seal D10x16x4	-	-	-	M2-RX45	AP9150443	1	AO269
	Oil seal D10x16x4	-	-	-	M4-SX45	AP9150443	1	AO269
	Oil seal D10x22x7	-	-	-	M7-SX55	AP9150474	1	AO269
	Oil seal D10x22x7	-	-	-	M3-SX45	AP9150474	1	AO269
	Oil seal D10x22x7	-	-	-	M5-RX55	AP9150474	1	AO269
	Oil seal D10x16x4	-	-	-	M8-SX55	AP9150443	1	AO269
11	Oil seal D10x22x7	-	-	-	M7-SX55	AP9150474	1	AO269
	Oil seal D10x18x5/8	-	-	-	M6-RX55	851013	1	AO269
	Oil seal D10x18x5/8	-	-	-	M8-SX55	851013	1	AO269
	Oil seal D10x18x5/8	-	-	-	M4-SX45	851013	1	AO269
	Oil seal D10x18x5/8	-	-	-	M2-RX45	851013	1	AO269
	Oil seal D10x22x7	-	-	-	M5-RX55	AP9150474	1	AO269
	Oil seal D10x22x7	-	-	-	M1-RX45	AP9150474	1	AO269
	Oil seal D10x22x7	-	-	-	M3-SX45	AP9150474	1	AO269

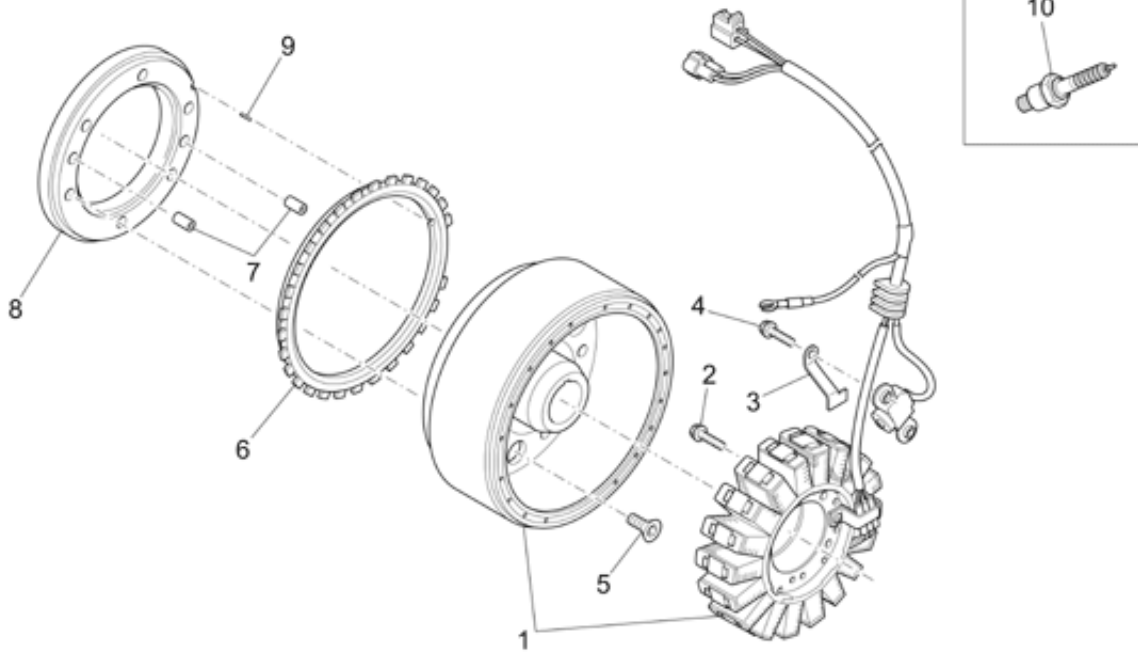


Pos.	Description	Year	I_M_	Country	Version	Code	Q.ty	P.Cod.
1	Starter motor w/out wiring	-	-	-	-	AP9150090	1	AK009
2	Screw w/ flange M6x30*	-	-	-	-	AP8152281	2	-
3	Pin	-	-	-	-	AP9150209	2	-
4	O-ring D10,5x1	-	-	-	-	AP9150446	2	-
5	Double gear Z=10/55	-	-	-	M9-RX45	8496465	1	AK049
	Double gear Z=10/55	-	-	-	M11-SX45	8496465	1	AK049
	Double gear Z=10/55	-	-	-	M15-SX55	8496465	1	AK049
	Double gear Z=10/55	-	-	-	M13-RX55	8496465	1	AK049
	Double gear Z=9/55	-	-	-	M16-SX55	849801	1	AK049
	Double gear Z=9/55	-	-	-	M14-RX55	849801	1	AK049
	Double gear Z=9/55	-	-	-	M10-RX45	849801	1	AK049
	Double gear Z=9/55	-	-	-	M12-SX45	849801	1	AK049
6	Intermediate gear Z=21	-	-	-	M9-RX45	AP9150207	1	AK049
	Intermediate gear Z=22	-	-	-	M12-SX45	849802	1	AK049
	Intermediate gear Z=22	-	-	-	M10-RX45	849802	1	AK049
	Intermediate gear Z=21	-	-	-	M11-SX45	AP9150207	1	AK049
	Intermediate gear Z=21	-	-	-	M13-RX55	AP9150207	1	AK049
	Intermediate gear Z=21	-	-	-	M15-SX55	AP9150207	1	AK049
	Intermediate gear Z=22	-	-	-	M16-SX55	849802	1	AK049
	Intermediate gear Z=22	-	-	-	M14-RX55	849802	1	AK049
7	Sprag clutch gear Z=52	-	-	-	M16-SX55	849803	1	AK019
	Sprag clutch gear Z=53	-	-	-	M15-SX55	AP9150203	1	AK019
	Sprag clutch gear Z=53	-	-	-	M11-SX45	AP9150203	1	AK019
	Sprag clutch gear Z=53	-	-	-	M9-RX45	AP9150203	1	AK019
	Sprag clutch gear Z=52	-	-	-	M10-RX45	849803	1	AK019
	Sprag clutch gear Z=52	-	-	-	M14-RX55	849803	1	AK019
	Sprag clutch gear Z=52	-	-	-	M12-SX45	849803	1	AK019
	Sprag clutch gear Z=53	-	-	-	M13-RX55	AP9150203	1	AK019

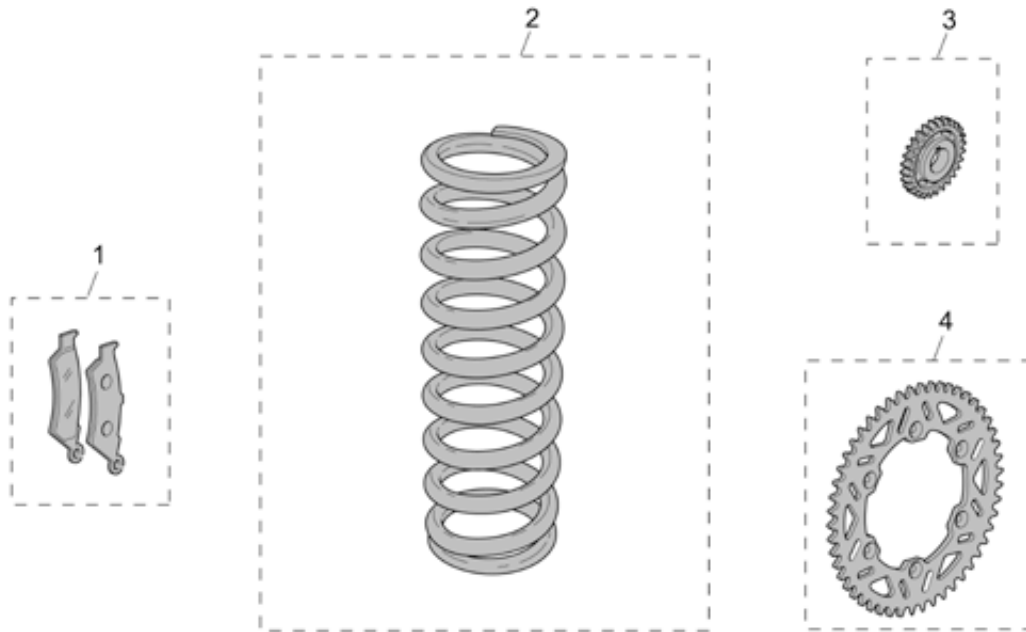
8	Roller cage D26x30x17	-	-	-	-	-	AP9150369	2	AI209
9	Starter clutch assy.	-	-	-	-	-	AP9150208	1	AK039
10	O-ring D25x2,5	-	-	-	-	-	AP9150500	1	-



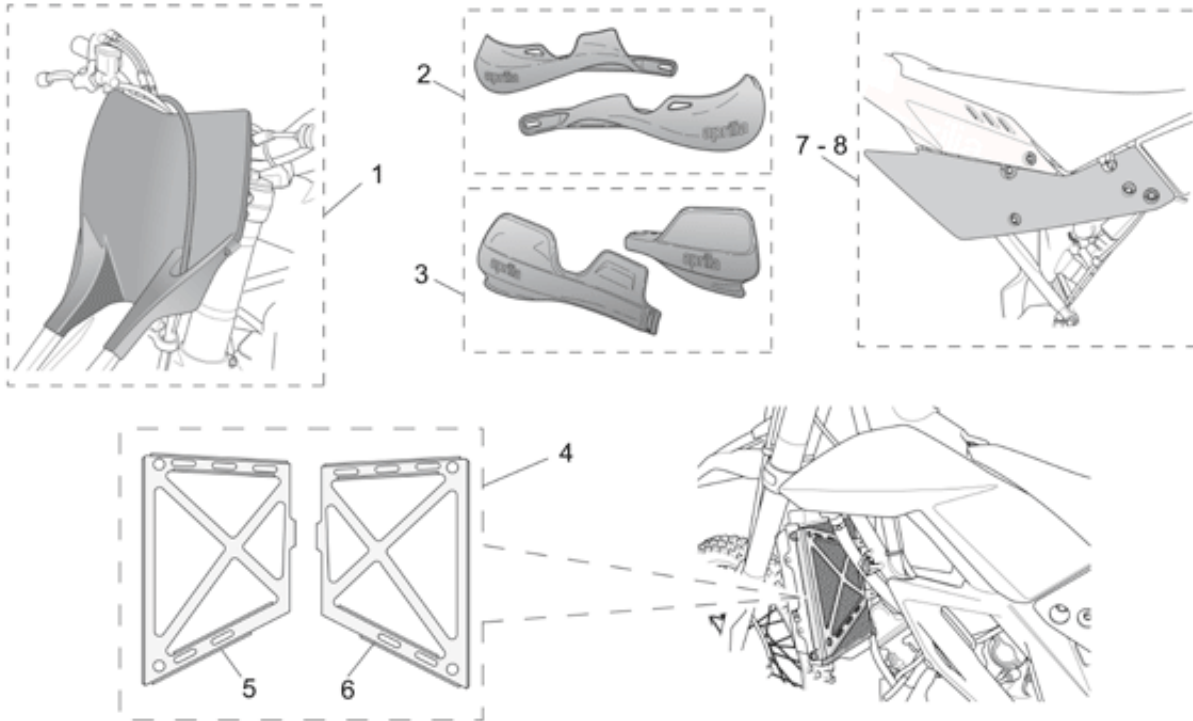
Pos.	Description	Year	I_M_	Country	Version	Code	Q.ty	P.Cod.
1	Throttle body	-	-	-	550	-	AP9100586	1 EC009
	Throttle body	-	-	-	450	-	AP9100444	1 EC009
2	Pipe benz.7,5x14,5	-	-	-	-	-	AP9100709	1 DA399
3	Union	-	-	-	-	-	AP9100494	1 DA409
4	Hose clip 14,5x8	-	-	-	-	-	AP9100714	2 -
5	Gaskets set	-	-	-	-	-	AP9101008	1 EC069
6	Screw kit	-	-	-	-	-	AP9101009	1 -
7	Potentiometer	-	-	-	-	-	AP9101010	1 EC059
8	Injector	-	-	-	-	-	AP9101011	2 EC129
9	Fuel rail cpl	-	-	-	-	-	AP9101012	1 EC149
10	Min.eng.spd adj.cable	-	-	-	-	-	AP9101013	1 -
11	Screw kit, clamps, clip	-	-	-	-	-	AP9101014	1 -



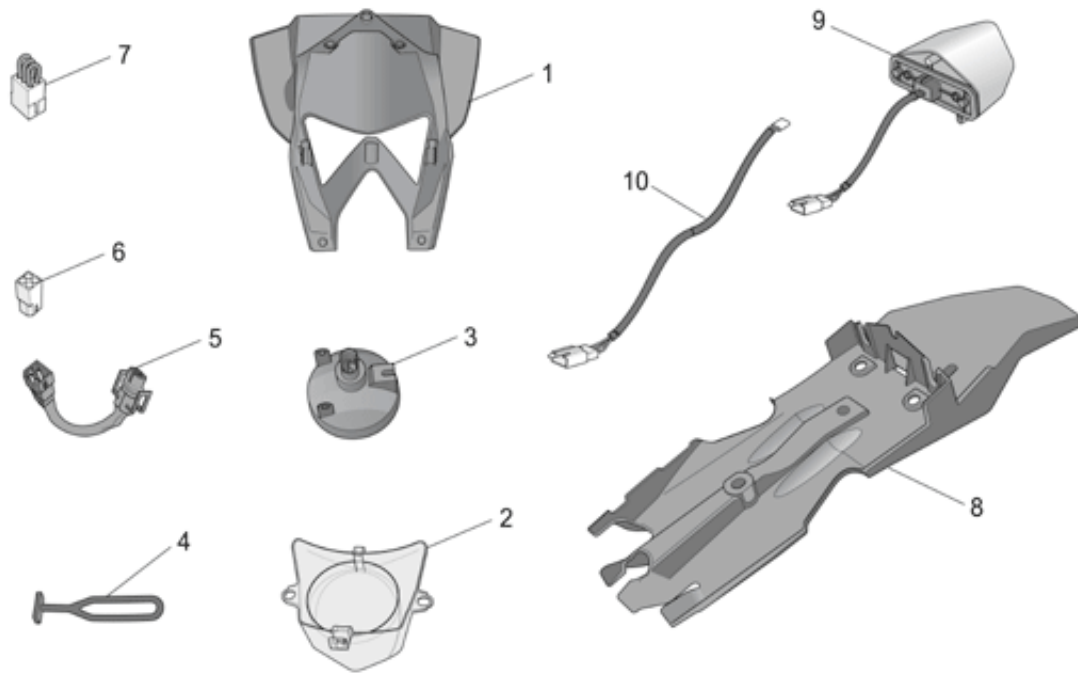
Pos.	Description	Year	I_M_	Country	Version	Code	Q.ty	P.Cod.
1	Cdi magneto assy	-	-	-	-	AP9150180	1	AM009
2	Screw w/ flange M5x25*	-	-	-	-	AP8152275	3	-
3	Plate	-	-	-	-	AP9100387	1	-
4	Screw w/ flange M5x12*	-	-	-	-	AP8152272	2	-
5	Screw M6x18	-	-	-	-	AP9150401	6	-
6	Wheel speed sensor, left front	-	-	-	-	AP9150205	1	AC379
7	Pin D5x8	-	-	-	-	AP9150380	2	-
8	Flange	-	-	-	-	AP9150204	1	-
9	Washer D13,5x21x1	-	-	-	-	AP9150451	1	-
10	Spark plug CR8EB	-	-	-	-	AP8570084	2	AM03*



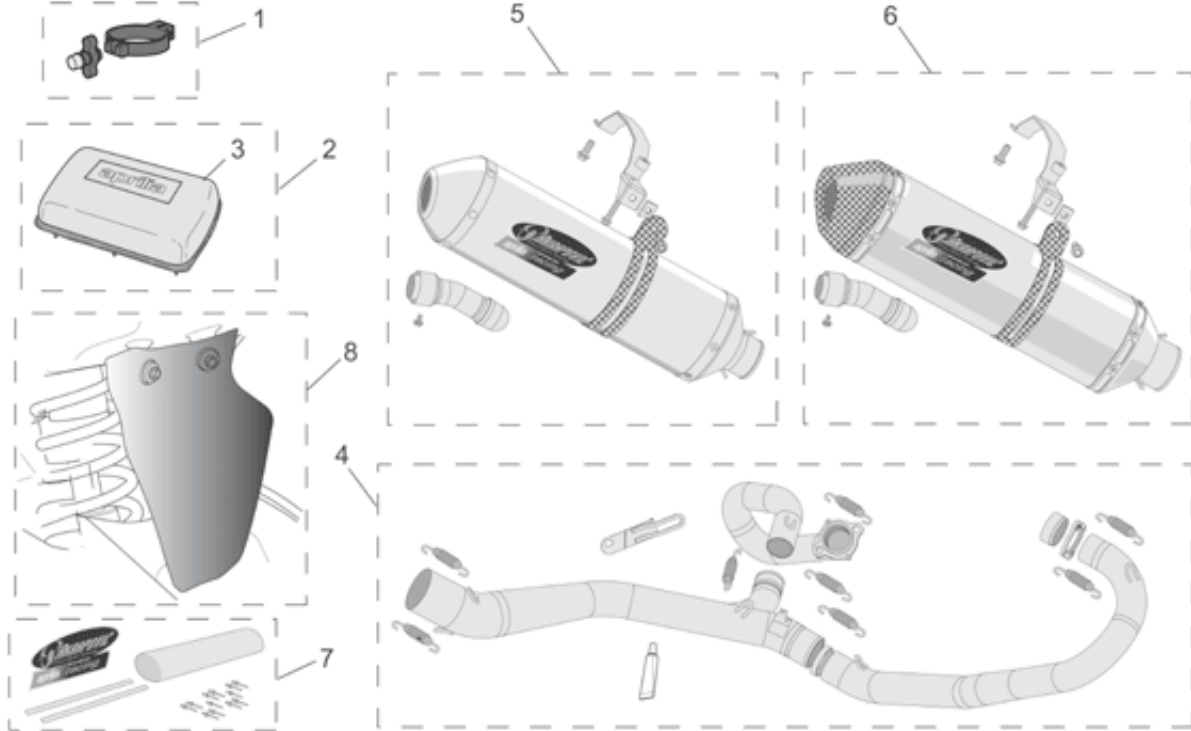
Pos.	Description	Year	I_M_	Country	Version	Code	Q.ty	P.Cod.
1	Front pads pair racing	-	-	-	A-Circ-SX	851408	1	-
2	Spring shock abso. K=5,0 Kgf/mm	-	-	-	A-Circ-RX	851092	1	-
	Spring shock abso. K=4,5 Kgf/mm	-	-	-	A-Circ-RX	851091	1	-
	Spring shock abso. K=5,8 Kgf/mm	-	-	-	A-Circ-SX	851094	1	-
	Spring shock abso. K=5,4 Kgf/mm	-	-	-	A-Circ-SX	851093	1	-
3	Pinion Z=14	-	-	-	A-Circ-RX- SX	851071	1	-
	Pinion Z=13	-	-	-	A-Circ-RX- SX	851070	1	-
4	Chain ring Ergalhard Z=51	-	-	-	A-Circ-RX- SX	851394	1	-
	Chain ring Ergalhard Z=50	-	-	-	A-Circ-RX- SX	851393	1	-
	Chain ring Ergalhard Z=49	-	-	-	A-Circ-RX- SX	851392	1	-
	Chain ring Ergalhard Z=48	-	-	-	A-Circ-RX- SX	851391	1	-



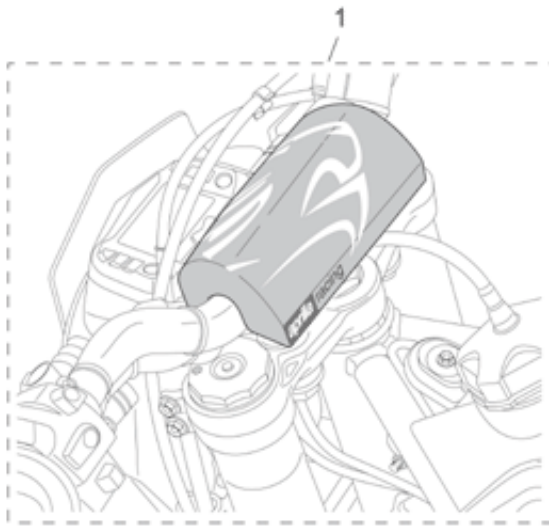
Pos.	Description	Year	I_M_	Country	Version	Code	Q.ty	P.Cod.
1	Motard Racing kit	-	-	-	A-Circ-SX	AP851377	1	-
2	Handguards, pair	-	-	-	A-Circ-SX	851084	1	-
3	Handguards, pair	-	-	-	A-Circ-RX	851083	1	-
4	Water cooler protection Alu	-	-	-	A-Circ-RX	851120	1	-
5	LH water cooler protection Alu	-	-	-	A-Circ-RX	851121	1	-
6	RH water cooler protection Alu	-	-	-	A-Circ-RX	851122	1	-
7	RH numberplate	-	-	-	A-Circ-RX-SX	AP9100285	1	-
8	LH numberplate	-	-	-	A-RX-SX	AP9100286	1	-



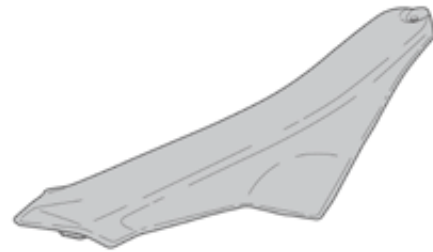
Pos.	Description	Year	I_M_	Country	Version	Code	Q.ty	P.Cod.
1	Rac.headlight support	6	-	-	A-Circ-RX	-	AP9100934	1 -
2	Transparent protection	6	-	-	A-Circ-RX	-	AP9100954	1 -
3	Racing Headlight	6	-	-	A-Circ-RX	-	AP9100970	1 -
4	Headlight supp.snap	6	-	-	A-Circ-RX	-	AP8120177	1 -
5	Headlight wiring w/harness	6	-	-	A-Circ-RX	-	AP9100986	1 -
6	Light connector	6	-	-	A-Circ-RX	-	AP9100985	1 -
7	Key connector	6	-	-	A-Circ-RX	-	AP9100388	1 -
8	Rac.number plate holder	6	-	-	A-Circ-RX	-	AP9100933	1 -
9	Racing Taillight	6	-	-	A-Circ-RX	-	AP9100971	1 -
10	Rac.taillight wiring harn.	6	-	-	A-Circ-RX	-	AP9100987	1 -



Pos.	Description	Year	I_M_	Country	Version	Code	Q.ty	P.Cod.
1	Motard start kit	-	-	-	A-Circ-SX	851090	1	-
2	Racing filter kit	-	-	-	A-Circ-RX-SX	AP851369	1	-
3	Racing air filter	-	-	-	A-Circ-RX-SX	AP851370	1	-
4	Titanium exhaust unit kit Akra	-	-	-	A-Circ-RX-SX	851443	1	-
	Steel exhaust unit kit Akra	-	-	-	A-Circ-RX-SX	851442	1	-
5	Steel silencer kit Akra	-	-	-	A-Circ-RX	851444	1	-
6	Silencer kit Akra	-	-	-	A-Circ-SX	853816	1	-
	Silencer kit Akra	-	-	-	A-Circ-RX	851445	1	-
7	Maintenance kit (titanium) Akra	-	-	-	A-Circ-SX	853817	1	-
	Maintenance kit (titanium) Akra	-	-	-	A-Circ-RX	853500	1	-
	Maintenance kit (steel) Akra	-	-	-	A-Circ-RX	853504	1	-
8	Shock abs. guard plate racing	-	-	-	A-Circ-RX-SX	851450	1	-



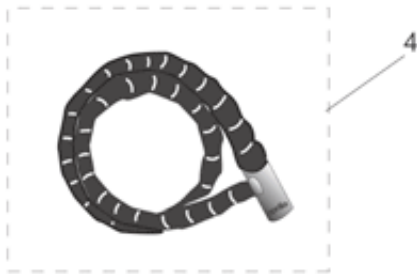
2



3




Pos.	Description	Year	I_M_	Country	Version	Code	Q.ty	P.Cod.
1	Handlebar cover racing	-	-	-	A-RX-SX	-	853702	1 -
2	Saddle	6	-	-	A-SX	-	851193	1 -
3	Saddle	6	-	-	A-RX	-	851095	1 -



Pos.	Description	Year	I_M_	Country	Version	Code	Q.ty	P.Cod.
1	Iron Guard 10x150 mm	-	-	-	A	-	AP8720115	1 -
2	Iron Guard 8x120 mm	-	-	-	A	-	AP8720116	1 -
3	Iron Guard Disk 5 mm	-	-	-	A	-	AP8720117	1 -
4	Easy Guard 150 mm	-	-	-	A	-	AP8720118	1 -

Legend

Years		Colours	
-	All years	-	All colours
6	2006	red	 Red Lion 2006 (s.t. 15134)
7	2007	white	White Race 2007 (s.t. 852955)
Version		Countries	
-	All versions	-	All countries
45	450 cc.Version	AA	Australia
450	450 cc	CF	United States of America
55	550 cc.Version	EU	B,E,I,NL
550	550 cc	JP	Japan
A	Accessories	UK	Great Britain
Circ	For Circuit Only		
D	With decals applied		
M1	UP to engine n°1459		
M10	From engine n°2439		
M11	UP to engine n°2275		
M12	From engine n°2276		
M13	UP to engine n°1724		
M14	From engine n°1725		
M15	UP to engine n°2599		
M16	From engine n°2600		
M2	From engine n°1460		
M3	UP to engine n°1501		
M4	From engine n°1502		
M5	UP to engine n°1100		
M6	From engine n°1101		
M7	UP to engine n°1129		
M8	From engine n°1130		
M9	UP to engine n°2438		
ND	Without decals applied		
OPT	Optional (available as accessory)		
RX	Enduro version		
RX45	Enduro version 450		
RX55	Enduro version 550		
SX	Motard version		
SX45	Motard version 450		
SX55	Motard version 550		
T1	Front reg. lever		
T2	Upper reg.lever		